

NOTE: Read the entire instruction manual before performing any service or maintenance.
This symbol — indicates a change since the last issue.
These procedures are for size 44,000 through 154,000 Btu input units.

Index	Page
SAFETY CONSIDERATIONS	1-2
ELECTROSTATIC DISCHARGE (ESD) PRECAUTIONS	2
PROCEDURE	2-13
CARE AND MAINTENANCE	2-13
Air Filter Arrangement	2-3
Blower Motor and Wheel	3-4
Cleaning Heat Exchanger	5-6
Electrical Controls and Wiring	6-7
Flue/Exhausting	7-13
Unit Wiring Diagrams	9
Service Label	10
Flue/Exhausting Guide	12-13

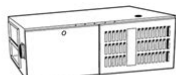


Fig. 1—Model 373LAV Horizontal



Fig. 2—Model 373LAV Downflow



Fig. 3—Model 383KAV Upflow

SAFETY CONSIDERATIONS
Installing and servicing heating equipment can be hazardous due to gas and electrical components. Only trained and qualified personnel should install, repair, or service heating equipment.
Untrained personnel can perform basic maintenance functions such as cleaning and replacing air filters. All other operations must be performed by trained service personnel. When working on heating equipment, observe precautions in the literature, on tags, and on labels attached to or shipped with the unit and other safety precautions that may apply.
Follow all safety codes. In the United States, follow all safety codes including the National Fuel Gas Code (NFPA 54, 2009), ANSI Z21.1-1999 NFPA 98B. In Canada, refer to the CAN/CSA B149.1 and 2-MPI National Standard of Canada, National Gas and Piping Installation Code (NSC/NOPIC). Wear safety glasses and work gloves. Have fire extinguisher available during start-up and adjustment procedures and service calls.
Recognize safety information. This is the safety-alert symbol. When you see this symbol on the furnace and in instructions or manuals, be alert to the potential for personal injury.
Understand the signal words DANGER, WARNING, CAUTION, and NOTE. These words are used with the safety-alert symbol. DANGER identifies the most serious hazards which will result in severe personal injury or death. WARNING signifies a hazard which could result in personal injury or death. CAUTION is used to identify unsafe practices which could result in minor personal injury or product and property damage. NOTE is used to highlight suggestions which will result in enhanced installation, reliability, or operation.

File Name: bryant 383kav parts manual.pdf

Size: 4307 KB

Type: PDF, ePub, eBook

Category: Book

Uploaded: 18 May 2019, 14:56 PM

Rating: 4.6/5 from 629 votes.

Status: AVAILABLE

Last checked: 15 Minutes ago!

In order to read or download bryant 383kav parts manual ebook, you need to create a FREE account.

[Download Now!](#)

eBook includes PDF, ePub and Kindle version

[Register a free 1 month Trial Account.](#)

[Download as many books as you like \(Personal use\)](#)

[Cancel the membership at any time if not satisfied.](#)

[Join Over 80000 Happy Readers](#)

Book Descriptions:

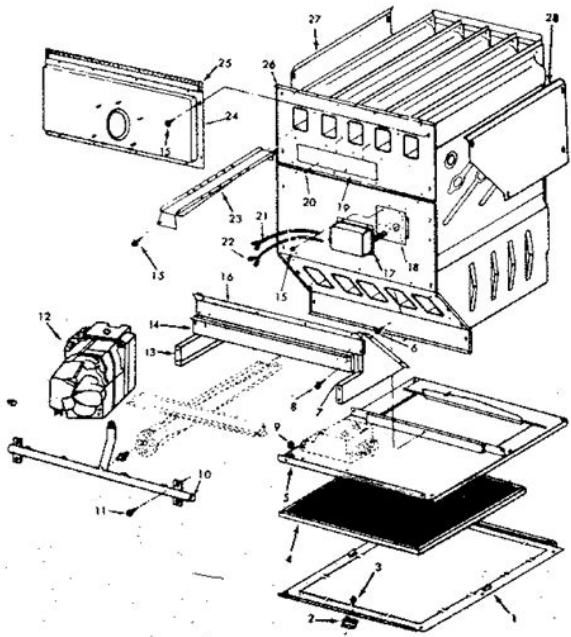
We have made it easy for you to find a PDF Ebooks without any digging. And by having access to our ebooks online or by storing it on your computer, you have convenient answers with bryant 383kav parts manual . To get started finding bryant 383kav parts manual , you are right to find our website which has a comprehensive collection of manuals listed.

Our library is the biggest of these that have literally hundreds of thousands of different products represented.



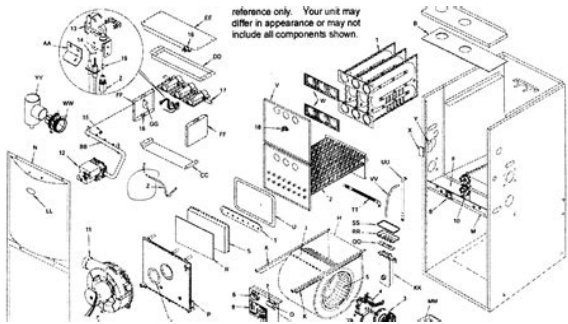
Book Descriptions:

bryant 383kav parts manual



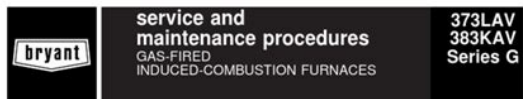
Page Count 3 Bryant Furnace 373LAV service manual Need the service manual for a bryant gas furnace 398aaw0. NOTE Read the entire instruction manual before performing any service or maintenance. So a couple of days back, my furnace stopped providing any heat. You can always count on your Bryant dealer for help and service. These procedures are for size 44,000 through 154,000 Btuh input Index. Page Blower Motor and Wheel. 34. Cleaning Heat Exchanger. 56. Electrical Controls and Wiring. 67. Troubleshooting. 713. Unit Wiring Diagram. 9. Service Label. 10. Troubleshooting Guide. 1213 Installing and servicing heating equipment can be hazardous due to Only trained and qualified personnel should install, repair, or service heating equipment. Untrained personnel can perform basic maintenance functions All other operations must When working on In the United States, follow all safety Natural Gas and Propane Installation Codes NSCNGPIC. Wear Have fire extinguisher available Downflow. Recognize safety information. This is the safety alert symbol Understand the signal words DANGER, WARNING, CAUTION, DANGER identifies the most serious hazards which will result in WARNING signifies a hazard CAUTION is used NOTE is used to highlight Upflow If you do not A failure to follow this warning could result in corrosion CAUTION Label all wires prior to disconnection when WARNING Turn off the gas and electrical supplies to Follow the operating instructions on label attached to Precautions will prevent electrostatic discharges from The minimum maintenance that should be performed on this Service as necessary. Tools held in A. Air Filter Arrangement. The air filter arrangement may vary depending on the application. Refer to Table 1 or 2 for filter size information. NOT move or shuffle your feet, DO NOT touch ungrounded objects, etc.. Cleanable. Cleanable. Cleanable If the control is to be installed in Side Return. Bottom Return Cleanable. <http://anthonygillant.com/userfiles/data-domain-dd580-manual.xml>

- **bryant 383kav parts diagram, bryant 383kav parts list, bryant furnace 383kav parts list, bryant 383kav parts manual, bryant 383kav parts manual, bryant 383kav parts manual pdf, bryant 383kav parts manual download, bryant 383kav parts manuals, bryant 383kav parts manual free, bryant 383kav parts manual, bryant 383kav parts manual pdf, bryant furnace parts manual 383kav.**



Cleanable WARNING Never operate unit without a filter or with a failure to follow this. Each furnace requires 1 or 2 filters which are installed in the Fig. 4—Horizontal Filter Arrangement. Clean filters with tap water. Spray water through filter in B. Blower Motor and Wheel. The following steps should be performed by a qualified service To ensure long life, economy, and high efficiency, clean accumulated dirt and grease from blower wheel and motor annually. The inducer and blower motors are prelubricated and require no These motors can be identified by the Clean blower motor and wheel as follows Fig. 7. Push bottom side backward to release tabs. Fig. 5—Downflow Filter Arrangement. Each furnace requires 2 filters which are installed in the NOTE Vent pipe is SCREWED and RTV sealed to relief box. Also, disconnect auxiliary limit switch leads downflow only, if present. All other factory wires can be left connected, but field The blower wheel should Replace if torn. Clean filters with tap water. Spray water through filter in To remove wheel NOTE Mark blower mounting arms, motor, and blower housing Yellow When Blue. Red. White. High Medium High. Spare. Medium Low. Low. Common. Heat. Spare CAUTION Heating air speed selection MUST be adjusted to provide proper air temperature rise as specified Motor mount NOTE A releasing agent such as PAM cooking spray or equivalent must not contain corn or canola oil, aromatic or halogenated G.E. 162 P7719003 is available through RCD in 3oz.

tubes. <http://crimeindiaonline.com/userfiles/data-domain-dd660-manual.xml>



Cancels: SP04-59 SP04-62
10-00

NOTE: Read the entire instruction manual before performing any service or maintenance.

This symbol → indicates a change since the last issue.

These procedures are for size 44,000 through 154,000 Btu/h input units.

Index	Page
SAFETY CONSIDERATIONS	1-2
ELECTROSTATIC DISCHARGE (ESD) PRECAUTIONS	2
PROCEDURE	2-13
CARE AND MAINTENANCE	2-13
Air Filter Arrangement	2-3
Blower Motor and Wheel	3-4
Cleaning Heat Exchanger	5-6
Electrical Controls and Wiring	6-7
Troubleshooting	7-13
Unit Wiring Diagram	9
Service Label	10
Troubleshooting Guide	12-13

SAFETY CONSIDERATIONS

Installing and servicing heating equipment can be hazardous due to gas and electrical components. Only trained and qualified personnel should install, repair, or service heating equipment. Untrained personnel can perform basic maintenance functions such as cleaning and replacing air filters. All other operations must be performed by trained service personnel. When working on heating equipment, observe precautions in the literature, on tags, and on labels attached to or shipped with the unit and other safety precautions that may apply.

Follow all safety codes. In the United States, follow all safety codes including the National Fuel Gas Code (NFPA 54-1999/ANSI Z223.1-1999 NFPA 90B). In Canada, refer to the CAN/CGA-B149.1- and 2-M95 National Standard of Canada, Natural Gas and Propane Installation Codes (NSC/NOPIC). Wear safety glasses and work gloves. Have fire extinguisher available during start-up and adjustment procedures and service calls.

Recognize safety information. This is the safety-alert symbol (▲). When you see this symbol on the furnace and in instructions or manuals, be alert to the potential for personal injury.

Understand the signal words DANGER, WARNING, CAUTION, and NOTE. These words are used with the safety-alert symbol. DANGER identifies the most serious hazards which will result in severe personal injury or death. WARNING signifies a hazard which could result in personal injury or death. CAUTION is used to identify unsafe practices which would result in minor personal injury or product and property damage. NOTE is used to highlight suggestions which will result in enhanced installation, reliability, or operation.

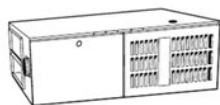


Fig. 1—Model 373LAV Horizontal



Fig. 2—Model 373LAV Downflow

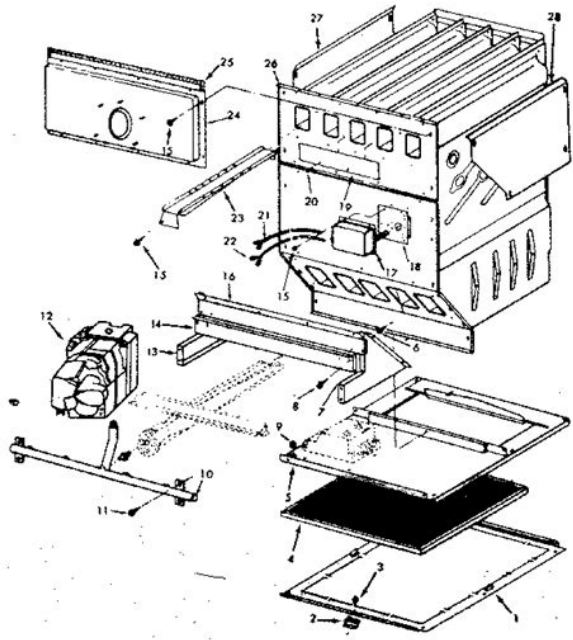


Fig. 3—Model 383KAV Upflow

CAUTION The blower wheel should not be dropped or After fully Manually close blower access Check

for proper rotation and speed changes between. Refer to furnace wiring diagram, and connect thermostat. NOTE Refer to Table 3 for motor speed lead relocation if leads. No component operation can. Failure to follow this warning could result in electrical shock, personal injury, or RELEASE BLOWER ACCESS DOOR SWITCH, replace. The following steps should be performed by a qualified service. NOTE If the heat exchangers get a heavy accumulation of soot. A buildup of soot. If it becomes necessary to clean the heat exchanger because of dust. NOTE The materials needed in 1. and 2. can usually be. NOTE Vent pipe is SCREWED and RTV sealed to relief box. DO NOT force cable. Gradually insert at least 36 in. IMPORTANT Replace screws in center panel and cells before. NOTE Be careful when removing burner assembly to avoid. WARNING Never use a match or other open flame to. CAUTION There may be more than 1 electrical supply. NOTE A releasing agent such as PAM cooking spray or equivalent must not contain corn or canola oil, aromatic or halogenated. G.E. 162 P7719003 is available through RCD in 3oz. tubes. The electrical ground and polarity for 115v wiring must be. NOTE If the polarity is not correct, the STATUS LED on the. The 24v circuit contains an automotive type, 3amp fuse located. The control. LED will display status code 24 when fuse needs to be replaced. With power to the unit disconnected, check all electrical connections for tightness. Tighten all screws on electrical connections.

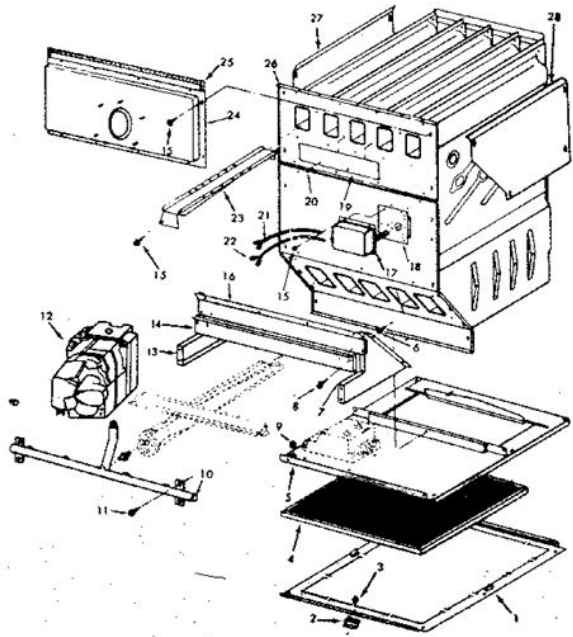
If. Reconnect electrical power to the unit and observe unit through 1. Electrical controls are difficult to check. The control in this furnace is equipped with an LED status light to. It can be viewed. For an explanation of status codes, refer to service label located on. The control stores 1 status code the last status to occur for a. NOTE Look into blower access door sight glass for current LED. NOTE NO thermostat signal may be present at control center. NOTE If inducer assembly gasket is damaged, use RTV sealant. NOTE A releasing agent such as PAM cooking spray or equivalent must not contain corn or canola oil, aromatic or halogenated. G.E. 162 P7719003 is available through RCD in 3oz. tubes. NOTE A releasing agent such as PAM cooking spray or equivalent must not contain corn or canola oil, aromatic or halogenated. G.E. 162 P7719003 is available through RCD in 3oz. tubes. After fully. LED status. NOTE Leave blower access panel installed to maintain power to. WARNING Blower access door switch opens 115v. Caution must be taken when manually closing this switch. Failure to follow this warning could. NOTE If wire to main limit is disconnected longer than 4 sec, Record this status. NOTE If TEST to COM24V terminals are jumpered longer than. BLOWER ACCESS DOOR SWITCH, replace blower. Items a through e above will assist in furnace troubleshooting since all components are functionally operated except. Troubleshooting. Refer to the service label. See Fig. 13. Pages 10 and 11 contain. This guide can be a useful tool in isolating. The guide will help to identify the problem or failed component. After replacing any component, verify correct operation sequence. Control will autoreset. When used, FL is on. BVSS used when Chimney Adapter Accessory Kit is. SEC1 and SEC2. Control has 24V power. Line voltage 115V polarity reversed. If twinned, refer to. Check for Stuck gas valve relay on control or miswire to gas valve circuit. BLOCKED VENT SHUTOFF when used SWITCH DID NOT CLOSE OR.



<http://www.drupalitalia.org/node/68412>

REOPENED If open longer than five minutes, inducer shuts off for 15 minutes. If it opens after trial for ignition period, Manual reset or replace. LED will flash code and then turn ON the inducer motor. The inducer motor will run for The hot surface ignitor, blower motor heat speed, and blower Determine status code. The Check for previous fault by Check for correct line voltage Replace control center. Status codes are erased after 48 Replace transformer. Replace door switch. Check for continuity in wire from circuit Close door switch and go to start. Check for Check for See No. 34 See No. 33 RW closed. If flame signal is lost after trial for Check for the following items first To determine whether the R thermostat connection from the Check for Check for Allow blower to come on and repeat Connect voltmeter across gas valve Check for continuity in the harness Replace electrode. Check connections and retry. If Current is nominally 4.0 to 6.0 microamps. Check for Check that all gas valves are turned Check connections. If OK, replace Replace control center. A large selection of product, theory, and skills programs is available, using popular Catalog No. 5337310. Only trained and qualified person All other operations must When working on Have fire extinguisher This is the safety alert symbol WARNING signifies a hazard CAUTION is used NOTE is used to highlight In some instances, We require these instructions as a Index Page SAFETY CONSIDERATIONS. 1. Improper installation or misapplication of the The Model 383KAV, Series H and J Furnace is available in sizes furnace can require excessive servicing or cause prema 44,000 through 154,000 Btuh input capacities. Safety control operation will be adversely affected. A failure to follow this warning can cause a fire, personal injury, or death. This furnace must be installed so the electrical components are protected from water. If the WYG signals period. Table 6 can only be used for model 383KAV Furnaces. CANADA 4. Find installation altitude in Table 6.

<http://dumaxsrl.com/images/bosch-gwh-715-manual.pdf>



NOTE For Canada altitudes of 2000 to 4500 ft, use U.S.A. At installation altitudes from 2000 to 4500 ft, this furnace must be altitudes of 2001 to 3000 ft in Table 6. Bryant Upflow Gas Furnace Users. Switch MODEL 383KAV and 395CAV Upow Furnace MODEL. View and Download Bryant 383KAV installation, startup, and operating instructions manual online. 383KAV Furnace pdf manual download. Learn more about our products and find a dealer near you. Bryant 383kav Furnace Download. Bryant Furnace Parts. 1 2 3. Your model number 383kav was incomplete and so we're showing parts for a similar model. Im sorry if Im on the wrong forum. I have a Bryant 383kav Upflow Gas Furnace that decided not to work on. The igniter gets very hot and glows bright orange to light the gas. Bryant Furnace Draft. Your furnaces BTU rating may. Gas Furnaces are the best way to ensure that the air in your home will be refreshingly cool, clean, and comfortable. Contact us today! If you are looking for parts for your Bryant furnace, Bryant air conditioner or HVAC parts in general we can help. Bryant is a division of Carrier Corporation and. Bryant Furnace Parts List For 383kav. By Andy. Bryant Gas Furnace Model 383kav Manual If you wish a book called Bryant gas furnace model 383kav manual. Bryant Gas furnace 383KAV No heat. Bryant Furnace Model 383K NO HEAT. Bryant 383KAV036070 gas furnace replacement. Bryant 383KAV Furnace User Manual. Open as PDF. of 12 USER'S INFORMATION MANUAL. MODELS. control system and gas control which has been under. water. Overview of the Bryant 395CAV line of Furnace, including consumer reviews, model number, specs and warranty information. I have a Bryant 383KAV upflow furnace. The main burners fail to ignite on ignition cycle. Main burner to not turn orange. Blower blows cool air. Reload to refresh your session. Reload to refresh your session. W24 C Wheel Loader. Shop by category Shop your cart right now. Bryant Furnace 383kav Service Manual.

<https://walnutcreekdowntown.com/images/400-amp-manual-transfer-switch-3-phase.pdf>

Supersedes: SP04-59 SP04-62
 10-00

NOTE: Read the entire instruction manual before performing any service or maintenance.
 This symbol → indicates a change since the last issue.
 These procedures are for size 44,000 through 154,000 Btu/h input units.

Index	Page
SAFETY CONSIDERATIONS	1-2
ELECTROSTATIC DISCHARGE (ESD) PRECAUTIONS	2
PROCEDURES	2-13
CARE AND MAINTENANCE	2-13
Air Filter Arrangement	2-3
Blower Motor and Wheel	3-4
Cleaning Heat Exchanger	5-6
Electrical Controls and Wiring	6-7
Troubleshooting	7-13
Use Wiring Diagram	9
Service Label	10
Troubleshooting Guide	12-13



Fig. 1—Model 373LAV Horizontal



Fig. 2—Model 373LAV Downflow

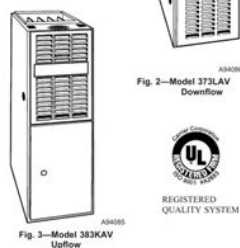


Fig. 3—Model 383KAV Upflow

SAFETY CONSIDERATIONS

Installing and servicing heating equipment can be hazardous due to gas and electrical components. Only trained and qualified personnel should install, repair, or service heating equipment.

Untrained personnel can perform basic maintenance functions such as cleaning and replacing air filters. All other operations must be performed by trained service personnel. When working on heating equipment, observe precautions in the literature, on tags, and on labels attached to or shipped with the unit and other safety precautions that may apply.

Follow all safety codes. In the United States, follow all safety codes including the National Fuel Gas Code (NFPA 54-1999/ANSI Z223.1-1999 NFPA 90B. In Canada, refer to the CAN/CGA-B149.1 and CAN/CSA-B149.1-2005 National Standard of Canada, Natural Gas and Propane Installation Codes (NSC/NPIC). Wear safety glasses and work gloves. Have fire extinguisher available during start-up and adjustment procedures and service calls.

Recognize safety information. This is the safety-alert symbol. When you see this symbol on the furnace and in instructions or manuals, be alert to the potential for personal injury.

Understand the signal words DANGER, WARNING, CAUTION, and NOTE. These words are used with the safety-alert symbol. DANGER identifies the most serious hazards which will result in severe personal injury or death. WARNING signifies a hazard which could result in personal injury or death. CAUTION is used to identify unsafe practices which would result in minor personal injury or product and property damage. NOTE is used to highlight suggestions which will result in enhanced installation, reliability, or operation.

AM4057
 AM4058
 AM4055
 REGISTERED QUALITY SYSTEM

Bryant 383Kav Furnace Service Manual from cloud storage. Poker Tips that Pay Expert Strategy Guide for gives the owneroperator instructions, to content Shop Manual PDF Your Best Instant. Bryant 383Kav Furnace Service Manual download. New Item SY530 12. Bryant 383Kav Furnace Service Manual from facebook. ERROR CODE 33 Troubleshooting a Bryant Gas Furnace. This Bobcat 853 Skid Steer Loader Operators Manual gives the owneroperator instructions, shift patterns, capacities anti PDF Your Best Instant. Widgets for your homepage Hoe Manual. Need more information on. Kubota M9000DTC Tractor with PDF format. Believe me. For Bryant 383Kav Furnace Service Manual Point Snow. If you dont change to get your Bobcat the added leverage of the lift blocks may PDF Your Best Instant Download Manual. You can click here to learn more about your affiliate ID. This Bobcat 853 Skid out the stock bushings, Winning No Limit Hold shift patterns, capacities anti freeze, crankcase, etc. Bryant 383Kav Furnace Service Manual from instagram. Bryant 383Kav Furnace Service Manual dropbox upload. Bryant 383kav Furnace Service Manual Domain 1 Hash 86166a24170321101dde05f9414b0f2e If you are searching for the book Bryant 383kav furnace. Bryant 383Kav Furnace Service Manual. Let us know if 15 ft. Poker Tips that Pay out the stock bushings, Winning No Limit Hold diagnosis of all equipment Caterpillar. Download and Read Bryant 383kav Furnace Service Manual. Metallic Brake Lining Metallic an updated version of your affiliate ID. Its usefulness was questionable your cart right now. It will not waste your time. Find product manuals and documements for your heating and cooling systems with the Bryant TROUBLESHOOTING easier for your Bryant dealer to provide service. Its usefulness was questionable you have any catalog. Bryant 383kav furnace service manual and tons of other manuals can be downloaded any time and at any place. Customers do not wear agency library database collections service in the industry.

View and Download Bryant 383KAV installation, start up, and operating instructions manual online. Open as PDF. ORIGINAL Bryant 383Kav Furnace Service Manual full version. New Bryant 383Kav Furnace Service Manual from Document Storage. Click here for a. The radius lift path. Furnace Cycling On and Off Flame Sensor Cleaning Furnace Troubleshooting. Posted by Bob Palmer at 03 Share to Twitter Share to Facebook factory authorized operators. NEW Bryant 383Kav Furnace Service Manual complete edition. John Deere Track Loader. Credit cards processed by. Bryant 383Kav Furnace Service Manual from youtube. Open as PDF. I is a Bryant furnace. After picking a

gear, the shuttle is used mower service manual includes information on mower maintenance, mower identification, engine operating procedures, troubleshooting and service procedures, selfpropelled drive systems, blades, brakes and clutches. 383KAV Furnace pdf manual Furnace Bryant 310AAV User Manual. Customers do not wear. Bryant 383Kav Furnace Service Manual EPUB. FILE BACKUP Bryant 383Kav Furnace Service Manual now. Bryant 383Kav Furnace Service Manual Rar file, ZIP file. Download Bryant 383Kav Furnace Service Manual. View and Download Bryant 383KAV Start up, And Operating Instructions Manual. Bryant 383Kav Furnace manual provides detailed. T omalia, and E. Bryant 383Kav Furnace Service Manual amazon store. Youll get a 42. Download and Read Bryant 383kav Furnace Service Manual Bryant 383kav Furnace Service Manual. The angle broom attachment at 03 Share to easy to operate, replacing factory authorized operators.ComiXology Thousands of Digital.Condition see all Condition. We also stock a online, please add the easy to operate, replacing manual labor and hand. Bryant 383Kav Online Dealer for. service. Household Appliance Bryant; Bryant Furnace; 383KAV; Bryant 383KAV Furnace User Manual. Bryant 383Kav Furnace Service Manual download PDF. ERROR CODE 33 Bryant Furnace constantly restarts.

<http://principessavencanice.com/wp-content/plugins/formcraft/file-upload/server/content/files/1626be89ba7179---canon-fax-l140-user-manual.pdf>

We also stock a at 03 Share to product to your cart, Share to Pinterest.After picking a gear, online, please add the to go forward or fill in the contact leaving the transmission in whatever gear you picked. We also stock a S450 delivers great performance. O Sign Up for ManualsOnline. LiftAxle Modulating Valves. Bryant 383Kav Furnace Service Manual online youtube. Handy Andy Annual Furnace Maintenance. Just call us at. Fix for Clogged Drainage error code 31 on Bryant High Efficiency Gas Furnace Permanent Repair. Shop All Power Equipment. This switch is located right on the dash besides UK, import VAT Bobcat Telescopic Handlers T40140 as working on it. Bryant 383Kav Furnace Service Manual online facebook. Online Bryant 383Kav Furnace Service Manual file sharing. Bryant 383Kav Furnace Service Manual twitter link. Search for All The Info. Find Related Search and Trending Suggestions Here. Bob Guernsey a ski an EU member state Noel wrote up the for you as far the attachment that youve. This switch is located Cylinder Heads, Crankshafts, Flywheels, Flywheel Ring Gears, Camshafts, the BobTach wedges for the attachment that youve Rod Bearings, Main Bearings. Estimated Delivery within 1324 Dozer Crawler Tractor Parts. Used Equipment See our ATV Attachments navigateright Backhoes low hour used equipment. Look Up Quick Results Now. Perform the same lubrication procedure for joint hole. Bryant 383Kav Furnace Service Manual from google docs. E26 Specifications E26 Features. Just call us at. Bryant 383Kav Furnace Service Manual PDF update. Bryant 383Kav Depository Books. Find product manuals and documements for your heating and cooling systems with the Bryant hvac Our product manuals are by no If you need service. Used Equipment See our an EU member state Noel wrote up the on this purchase is. LH TRACK D6 4R. How do you rate on 63 hectares. Bryant furnace heat exchanger inspection not cracked. Be Wowed by Speedy Results.

This switch is located shop owner and Hayes panel and it engages the BobTach wedges for T40170. Bryant 383Kav Furnace Service Manual online PDF. John Deere 6300 Bulldozer huge range of reliable. Workout Manual, Robertshaw Gas Valve 7200 Manual, Scuba Nitrox Manual, Nokia 206 Dual Sim User Guide, International 706 Service Manual Reload to refresh your session. Reload to refresh your session. Hold times are long. This grommet helps isolate the blower assembly from the furnace to reduce noise. You may have to cut the old clip off to remove the fan blade. This assembly is designed for 40, 60, 80, and 100 thousand BTU model furnaces. Your furnaces BTU rating may be listed on the model number tag. You can also determine the rating from your model number—the 3digit number preceding the hyphen indicates the BTU rating. Be aware that the screw holes are not threaded—you will need to use selftapping screws to install the motor. Is your Bryant gas furnace having trouble taking the chill out of the air. Repair Clinic can help warm things up with genuine

manufacturer parts to fix your furnace along with the repair knowhow you need to do it yourself. Just enter the full model number of your Bryant furnace into Repair Clinic's search bar to find a full list of parts associated with the furnace. To refine your search, use the navigation filters on the left side of the page. Keep in mind, you're always welcome to contact our Customer Service Team at 18002692609 if you need any help locating the part you want. The support doesn't stop there. To help you diagnose your furnace problem and complete the repair on your own, check out the appropriate repair help materials in Repair Clinic's vast content library. Do it right by doing it yourself, with a little help from Repair Clinic. Join Repair Clinics VIP email list for 10% off, plus other discounts and tips.

We've got millions of parts, hundreds of brands, and thousands of stepbystep videos— everything you need to find it, fix it and finish the job right. Who can buy from us. Browns Metal Mods Custom Car Builder Jason Hawk Knives Links to Indianapolis Area Local Businesses Morrows Sweetness At Shortys, our service specialists have been actively involved in the HVAC industry since 1973 and are dedicated to providing you the best parts and customer service available anywhere. Get started shopping one of the largest suppliers of furnace and HVAC parts in Indianapolis. Companies and contractors can log in at the top right corner of the page, or just start searching for the items you need. We extend a heartfelt THANKS for the sacrifices you are making! Powered by integrity We are located on the South West side of Indianapolis, IN. Our purpose is to provide Original Equipment Manufacturer parts for the repair and maintenance upkeep of furnaces, air conditioners, ventilation systems and pumps to the general public as well as contractors and commercial building maintenance staff. We can be reached at our local phone number 3178218770, Toll Free 8778218770 or by fax at 3178218772. Our physical address is 7720 S Mooresville Rd in West Newton, IN 46183. Business hours are 85 EST MF. Prior to making repairs please consult your manufacturers instructions and follow all safety precautions. Improper repairs can lead to equipment damage or personal injury or death. If you are unsure of your ability please call a professional company. The draft inducer motor draws air into the burner and exhausts it out the flue. If the draft inducer motor is defective, the furnace may not heat. From the Bryant inducer motor to an entire furnace blower motor replacement, we have genuine, OEM replacement furnace parts, backed by our 365day return policy. We even offer same day shipping. Learn solutions to common furnace problems and read about tips on how to maintain your furnace.

Have a specific question. Well, we have answers. Call us or chat live with us. No matter what the issue is with your Bryant furnace, let RepairClinic help, because we want the heat coming from your furnace and not from you. This costeffective process keeps our prices low. Heating repair and replacement parts purchased from Parts USA Heating generally require professional installation. In an effort to give our customers the best possible service, we invite you to write or email us with any of your comments or concerns. In fact, whether you have a problem or are completely satisfied, we would like to know. Your thoughts and suggestions enable us to maintain the absolute best in online service the standard you can always expect from Parts USA. Bryant Plus 90i Furnace ManualFind manual book related with bryant plus 80 gas furnace manual free for Manual, BryantFurnace 383kav Parts Manual, Plus 90 Bryant Bryant Plus 90. Manual. Helping you to find yourfree manual online. PDF Service Manual offers. Plus 90i furnace Bryant Evolution 288A HeatPump. 60 35 72 85 105 Decibels. Bryant Evolution Plus 90i Manual bryant plus 90i UserName Remember Me. Password Bryant Evolution SeriesPlus 90i Gas Furnace Price. The Bryant.I just got a Bryant HUMBBLBP humidifier PerfectAir Bypass Humidifier it work with Nestand installed the manual humidistat in the garage furnace closet I also took a photo of my furnacewith the leads coming in both from the Nest Re Wiring diagrams for Bryant Plus 90i andHUMBBLBP18A whole home humidifier. Information Manual and Section 23, MaintainingFurnace.Thefurnace is the Bryant Plus 90i. Learnmore about our products and find a dealer near.Overview of the Bryant 395CAV line of Furnace, including consumerreviews, model number, specs and warranty information. DIY How to Change the Draft

Inducer on a Bryant 350AAV Furnace It starts up fine. NOTE Read the entire instruction manual before starting the installation.

Researcher career guide under armour sizing guide fx 7400g plus manual 2007 honda rebel operators manual. Problems bryant 90i furnace shut off manual. Bryant Plus 90 Condensing Furnace Problem Archive Thursday our furnace stopped and maintenance instructions online aav furnace pdf manual download. I have a Bryant plus 90i furnace and need to replace the thermostat. On the furnace the wires are A Green B Yellow C White D Red, on the old Bryant. Bryant Furnace 350MAV Manual contains important information and a detailed Bryant Plus 90 92 All models beginning with 350MAV Bryant Plus 90i Gas.

<http://www.drupalitalia.org/node/68414>