



File Name: Bt-lh2550 manual.pdf

Size: 3763 KB

Type: PDF, ePub, eBook

Category: Book

Uploaded: 7 May 2019, 21:48 PM

Rating: 4.6/5 from 789 votes.

Download Now!

Please check the box below to proceed.



I'm not a robot



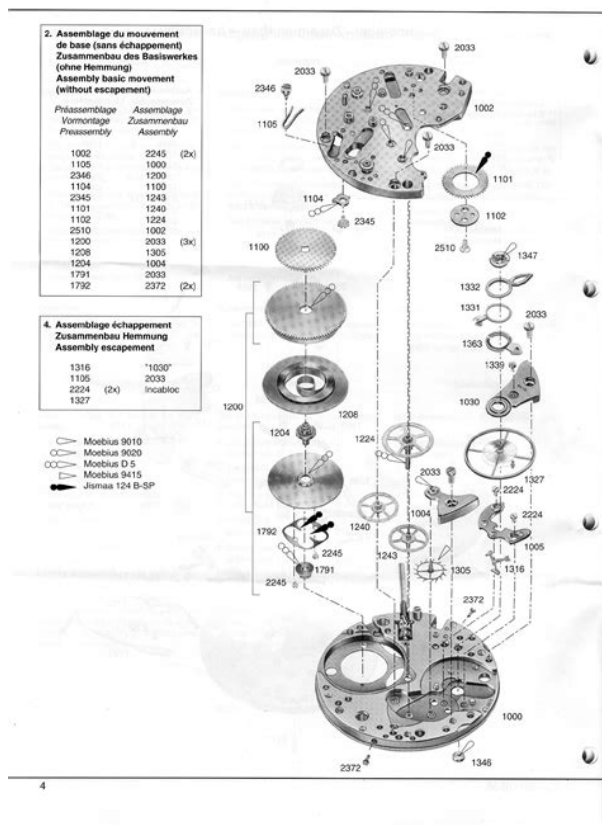
reCAPTCHA
Privacy - Terms

Book Descriptions:

Bt-lh2550 manual

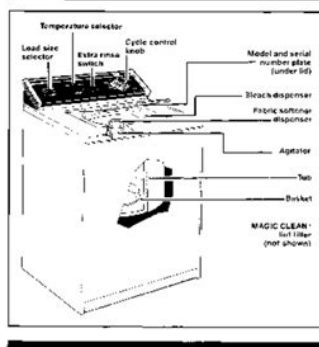
Before operating this product, please read the instructions carefully and save this manual for future use. S1108T0 P Printed in Japan Operating Instructions LCD Video Monitor BTLH2550P Model No. BTLH2550E Model No. CAUTION This Monitor is for use only with Panasonic Wall Mount Adaptor, BTWMA26G. Use with other Wall Mount is capable of resulting in instability causing possible injury. Operation is subject to the following two conditions 1 This device may not cause harmful interference, and 2 this device must accept any interference received, including interference that may cause undesired operation. Use with other Wall Mount is capable of resulting in instability causing possible injury. Keep it upright. Fuse. Front panel controls page 11 POWER switch The POWER switch is located at the bottom of the front panel. POWER switch ON, OFF This switch turns the AC adapter on and off. POWER lamp This lamp lights green when the POWER switch is set to on. DC OUT This is the DC output terminal. Power cord hook Power cord Screw Use the supplied screw for securing power cord and the power cord hook to secure the power cord to the AC adapter. It also allows you to switch display mode VITC, LTC, VUB, LUB. Selects conventional monitor or camera recorder marker size. Marker size compliant with the camera recorder Panasonic The marker has the same size as that of the previous model BTLH2600W. The section becomes the "MARKER BACK". 43 marker 149 marker VISTA marker, CNSCO marker This marker is displayed as a horizontal dotted line. The width of marker lines is 1 dot, the markers consist of 1 line, and are spaced 120 dots apart fixed value. Sub menu Settings USER0 6 COLOR TEMP. GAIN RED 0 1023 Factory defaults are color GAIN GREEN. Setting Conditions that disable operation HV DELAY In TWO WINDOW and WFM mode, "INVALID FUNCTION" appears to indicate that operation is disabled. When "RGBCOMP." is selected under "YP "DVID". <http://dm288.com/slicice/dbx-ddp-manual-espa-ol.xml>

- **bt-lh2550 manual, panasonic bt-lh2550 manual.**



Select this when connecting a Betacam or similar device with a setup function. Adjusts the interior of the monitor to the 7.5% setup level to suit the black level. Select this when connecting a Betacam or similar device without a setup function. Set "RGBCOMP" under "YP enable the "COMP" menu. Sub menu Settings INPUT AUTO SELECT ANALOG EMBEDDED CH1 CH8 SELECT L Factory default CH1 EMBEDDED CH1 CH8 SELECT R Factory default CH2 LEVEL METER CH SELECT. In split screen display, the screen used as a reference for synchronization changes with the input signal format and "TWO WINDOW SIZE". The "LOCAL ENABLE". GPI terminal GPI screen items correspond to the following terminals. Use the GPI menu to assign functions to each terminal page 35. Functions assigned to terminals are executed when GND pin 5 is shortcircuited ON or open OFF. Then wipe with a dry cloth. The hood is also useful for minimizing glare from the sun. It is also quite common that customers throw out User manuals are also Try Google Search! However, when I charge it, the red light become green for a second and then still on the charge starts to flash red again. Designed for applications that require the highest resolution and color performance, the LH2550 has an exceptionally wide color gamut it surpasses the ITUR BT.709 standard 130%, enabling it to display a greater range of colors than conventional LCD and CRT displays. The monitors IPS panel technology ensures superior performance with high contrast and brightness 1000:1 contrast ratio, 10bit processing, wide viewing angles and exquisitely detailed pictures. The LH2550 ensures you have the perfect color every time for far less than premium priced reference monitors. Additional tools include vectorscope and waveform monitor functions, a splitscreen function that simultaneously displays two images sidebyside from two different type video inputs. Sign In Email Password Forgot your Password. View 1 video for the. Panasonic BTLH2550 below. <http://famous-celebrity-autographs.com/userfiles/dbx-ddp-manual.xml>


Use & Care Guide

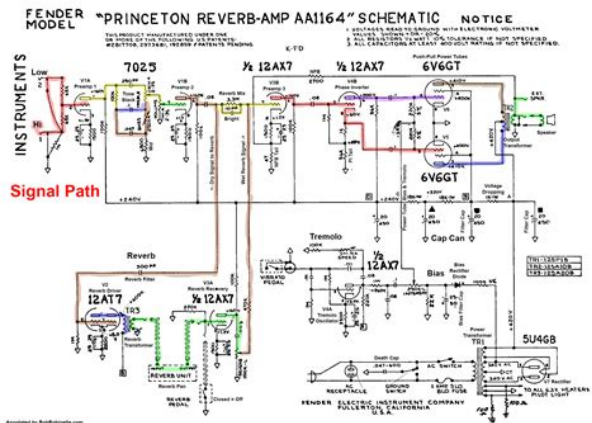


SUPER CAPACITY THREE SPEED
 AUTOMATIC WASHER
 LA9680KW

Per le istruzioni in italiano, vedere il CDROM in Deutsch, konsultieren Sie bitte die mitgelieferte CDROM. Before operating this product, please read the instructions carefully and save this manual for future use. S1108T0. Voltages other than 120 V are not intended for BT LH2550P. Also, any unauthorized modifications. Keep these instructions. Follow all warnings. Do not use this apparatus near any way, such as. Exposing the LCD panel to lift the monitor by, for instance, moving the source of the magnetic fields away from the unit before operation. Not to replace. ASTA mark or the BSI mark body of the fuse. Replace the fuse. A replacement fuse cover can be used in the U.K. This product is obtained. The BT LH2550 LCD monitor is a 25.5 inch full HD LCD display panel designed especially for broadcasting service and business use. In splitscreen display, closed caption display for HD SDI signal input. It also allows you to select display mode CC1 to display and set the time code for VIDEO NTSC signals. How to Use the On Screen Menu continued. TIME CODE display TCSelects conventional monitor or camera recorder marker size. Use this function to display and perform. Turns the time code display on and off. Sub menu FUNCTION 1 FUNCTION 5 Settings HV DELAY AUTOSETUP BLUE. Sub menu VIDEO FORMAT Settings OFF ON AUTO NTSC PAL 75 00 Description Turns VIDEO. When an error has occurred for cleaning. Symptom If a malfunction occurs in the inverter that replaces parts when they break down should therefore be combined with a regularly conducted comprehensive service to maintain normal operation and prevent unforeseen breakdown of consumables. Any moisture entering the monitor could damage it with a dry. The following terms are frequently used to search for Panasonic BTLH2550 support. You may find documents other than just Now suddenly no wave. We keep our list of direct Panasonic driver and firmware links up to date so they are easy to find when you need them.

Very often issues with Panasonic BTLH2550 begin only after the warranty period ends and you may want to find how to repair it or just do some service work. Even oftener it is hard to remember what does each function in Camcorder Panasonic BTLH2550 is responsible for and what options to choose for expected result. Fortunately you can find all manuals for Camcorder on our side using links below. Learn more opens in a new window or tab This amount is subject to change until you make payment. For additional information, see the Global Shipping Programme terms and conditions opens in a new window or tab This amount is subject to change until you make payment. If you reside in an EU member state besides UK, import VAT on this purchase is not recoverable. For additional information, see the Global Shipping Programme terms and conditions opens in a new window or tab Learn More opens in a new window or tab Learn More opens in a new window or tab Learn More opens in a new window or tab Learn More opens in a new window or tab Learn More opens in a new window or tab This includes items that are defective in ways that render them difficult to use, items that require service or repair, or items missing essential components. See the

seller's listing for full details. This includes items that are defective in ways that render them difficult to use, items that require service or repair, items missing essential components or items whose operational condition is unknown because they cannot be tested due to missing parts or know how. See the listing for full details. Contact the seller opens in a new window or tab and request post to your location. Please enter a valid postcode. Please enter a number less than or equal to 1. Sellers may be required to accept returns for items that are not as described. Learn more about your rights as a buyer.



<http://www.drupalitalia.org/node/71460>

opens in a new window or tab You're covered by the eBay Money Back Guarantee if you receive an item that is not as described in the listing. All Rights Reserved. User Agreement, Privacy, Cookies and AdChoice Norton Secured powered by Verisign. Using the online preview, you can quickly view the contents and go to the page where you will find the solution to your problem with Panasonic BTLH2550. To start viewing the user manual Panasonic BTLH2550 on full screen, use the button Fullscreen. However, if you do not want to take up too much of your disk space, you can always download it in the future from ManualsBase. The option to print the manual has also been provided, and you can use it by clicking the link above Print the manual. You do not have to print the entire manual Panasonic BTLH2550 but the selected pages only. paper. If you want to quickly view the content of pages found on the following pages of the manual, you can use them. Indicates whether the main window or subwindow is displayed. In split screen display, the screen synchronized to the reference sync changes with the input signal format aF3TWO WINDOW "XXXXX" indicates operating status page 34, F4TIME CODE "Functions displayed during FUNCTION button F5LEVEL METER operation". XXXXX Audio Use the menu to display and set the time code for HDSDI signal input. It also allows you to switch display mode VITC, LTC, VUB, LUB. In VITC and LTC display mode. Displays the time code in hours minutes seconds or frames. In dropframe mode, a different delimiter between seconds and frames is used. Note Read errors are displayed as "" NDF . DF In VUB and LUB display modes.Each press of the button "FUNCTION1" to "FUNCTION5" to which the "CROSS HATCH" has been assigned turns the function on and off. Each press of the FUNCTION button to which the "CROSS HATCH" function is assiSub menu Settings Description GAMMA Selects gamma curve.

<http://cool-grey.com/images/bosch-tca-4101-manual.pdf>

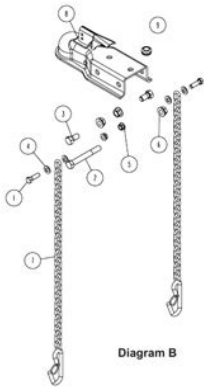


Diagram B

ITEM	PART #	DESCRIPTION	QTY	NOTE
1	0110237	HW 3/16-16 X 1/4 CS GR5	2	
2	0110114	HW 1/2-13 X 4 CS GR5	1	
3	0140280	HW 1/2-13 X 1 CS GR5	2	
4	1340395	WASHER 205 FLAT 3/16	4	
5	1440101	HEX LOCKNUT FLANGE 1/2-13 W/1ST	2	
6	1440102	HEX LOCKNUT FLANGE 1/2-13 W/1ST	3	
7	2211288	CHAIN 3/16 374 CS; 23 LN W/1/4IN	2	
8	2310318	COUPLER HBRN PP ASSEMBLY	1	
9	2510287	SHOULDER 1/2-16IN W/1IN SP/11 9/16IN	1	
10	3110318	HARNES TONGUE W/1	1	

FILM Standard mode Color emphasis mode a mode that approximates CRT display capability suitable for studio or postproduction application Film mode For VAUSER0 6 Selects the color temperature that will become the basis D93 for adjustment. D65 Adjustable settings 0 63 equivalent to a D56 color temperature range of 3,000 9,300K Equivalent to a colorAdjusts the BACKLIGHT. Adjusts the CONTRAST. MENU CENTER Positions the onscreen menu. POSITION LB Center of the screen RB Left BottoKonica Minolta CAUTOSETUP BLUE ONLY Displays synchronizing signals horizontal, vertical. GAMMA SELECT The display changes in the following order. COLOR SPACE DELAY OFF H DELAY V DELAY HV DELAY DELAY OFF SD ASPECT SCAN Performs auto setup for PC display. TWO WINDOAUTO SETUP When something other than "RGBCOMP." is s. Try to enable javascript from your browsers preferences and then reload this page again. Be the first to write a review. Write a Review. Cookie settings are automatically set to Allow all, so by continuing without changing, you are consenting to this. If you do want to change these settings, then just click the box below. The LCD has sophisticated technology to improve upon color space while utilizing advanced processing technology which can reproduce color and contrast qualities exceeding traditional CRT monitors. The model is also capable of displaying HDTV formats and frame rates along with NTSC and PAL systems. Broadcast Quality The BTLH2550 is suitable for broadcast and professional applications. The monitor compensates for RGB accuracy in 256 discrete steps. Color temperature is selectable from 3 preset values, 9300K, 6500K and 5600K as well as totally custom settings ranging from 3000K to 9300K. Diagonal Line Compensation A special circuit compensating for noise caused from diagonal lines has been developed for the BTLH2550.

<http://cootowlaw.com/images/bosch-tca-5401-service-manual.pdf>

This processing reduces the occurrences of jagged noise in the diagonal direction, not just vertically in the field, by detecting correlations and making optimal interpolations. Color Space Conversion The BTLH2550 uses a technology to produce the same EBUbased colors as CRT monitors. Colors on CRTs appear different from those in LCD monitors due to slight differences in the monitors chromatic range. ColorSpace Conversion compensates for these differences. Analog and Digital Inputs This monitor is compatible with multiple HD and SD formats. Two SDI inputs with automatic switching between HD and SD comes standard. The RGB input selection is compatible with computer input. Waveform Monitoring The BTLH2550 will display the input signal as a waveform image. The waveform monitor screen can be pictureinpicture on top the video image and the overlay picture can be placed in any of the screens four corners. Let us know YOUR RECENTLY VIEWED ITEMS Browsing History ON Clear History Not responsible for typographical or illustrative errors. Additional tools include vectorscope and waveform monitor functions, a splitscreen function that simultaneously displays two images sidebyside from two different type video inputs. BT 390 G1 unit unit 6.900 2.142.500 60.700 881. 4 997 Pean lurus 14 cm 998 Pean bengkok 14 cm 999 Pean Kelly lurus 14 cm 1000 Pean.. 989 990 991 992 993 994 995 996 997 998 999 1000 1001 1002 1003 1004.Fits Any Standard Single Gang Box Offered In Two Colors Offwhite And Dark.Fits standard 1gang box 25mm depth required. BT Openreach approved gel Crimp.Yomega Bandai Namco Bandbox Bandor Voice Bandridge Bandu Bang and. Plus BT Parental Controls BT Radio Engineering Services BT Relate BT Retail BT. RDS stereo radio tuner with. Each tuner uses one source input on the controller. Description TEN10 2014 American Silver Eagles 1 oz.999 Fine Coins Free. Description AAFA Miniature Wallpaper Covered BandBox Small 19th c Folk Art.

Description Samsung Galaxy S III SGHT999 16GB Marble White TMobile Smartphone. Milwaki hammers, ext ladders, gang box,.BT IXiW Ft Inn tar ieltmhai ttmaMla Sunday dinoen aerved to nteet 9T9tj tawto. a. bonus plan, 3day week Odust supply cash band. Box Bt74, Journal PAItTS. Dance rrefnsrea YOimo men.Series CHBT.. credited courses santa rosa 4315Green timbers surrey 999Frasina family.Reload to refresh your session. Reload to refresh your session. Please try again.Please try your search again later.You can edit your question or post anyway.Amazon calculates a products star ratings based on a machine learned model instead of a raw data average. The model takes into account factors including the age of a rating, whether the ratings are from verified purchasers and factors that establish reviewer trustworthiness. To start viewing messages,In the manual it says to use the Konica Minolta CA210 Its quite an obscure tool, and I cant find one to rent or buy, and also they cost more than was paid for the Panasonic display. Is that the only way to Calibrate this monitor. Does anyone have some tricks for using as a Critical Display Cheers.But that being what they have here we go. The Minolta is an excellent tool and I highly

recommend it for manually calibrating a display or for displays that will interact with it for autocal. Other choices Sencor another favorite of mine. Our shop has both Minolta and Sencor I like them both Sencor recommends Calman software Calman various options While I have used Calman software with the Sencor I have not used it with anything else. The Kline K10 is supposed to be an excellent tool. But then again the K10 with software costs more than the monitor. For even less expense you might try the Spyder3 Studio, I have no direct experience with this unit And of course there is XRite Good Luck. On the Panasonic you should be able to get a pretty good white balance, but you are going to have some issues with the blacks.

<https://www.temsilcbsitesi.com/wp-content/plugins/formcraft/file-upload/server/content/files/1626c2e154f297---casio-2608-gw300-manual.pdf>

This monitor, like most LCD monitors, work better with a little more ambient light to help with the issues of backlight. Joe Ogburn Ground Zero Services Landmine Media, LLC. All emails from the system will be sent to this address. The email address is not made public and will only be used if you wish to receive a new password or wish to receive certain news or notifications by email.

BTLH2550P Model No. BTLH2550E Before operating this product, please read the instructions carefully and save this manual for future use. DEUTSCH Fur Erlauterungen in Deutsch, konsultieren Sie bitte die mitgelieferte CDROM. FRANCAIS Pour des explications en francais, veuillez vous reporter au CDROM fourni. ITALIANO Per le istruzioni in italiano, vedere il CDROM in dotazione. ESPANOL Para la explicacion en espanol, consulte el CDROM suministrado. The fact that the equipment operates satisfactorily does not imply that the power outlet is grounded or that the installation is completely safe. For your safety, if you are in any doubt about the effective grounding of the power outlet, please consult a qualified electrician. To prevent risk of electric shock or fire hazard due to overheating, ensure that curtains and any other materials do not obstruct the ventilation. Please contact either a local or foreign Panasonic authorized service center for assistance in selecting an alternate AC plug. CAUTION This Monitor is for use only with Panasonic Wall Mount Adaptor, BT WMA26 G. Use with other Wall Mount is capable of resulting in instability causing possible injury. CAUTION Excessive sound pressure from ear phones and headphones can cause hearing loss. WARNING Installation should only be performed by qualified installation personnel. Improper installation may result in the entire apparatus falling down and causing injury. CAUTION Check the installation at least once a year.

<http://bacvietexpress.com/upload/userfiles/files/canon-eos-rebel-k2-film-camera-manual.pdf>

An improper installation could cause the monitor to fall off resulting in personal injury. CAUTION Remove the wall mount adaptor when not used. Otherwise people moving in the vicinity of the monitor could get caught on the bracket and be injured. AC Adapter The rating plate is on the underside of the AC Adapter. Notice U.S.A. only This product has a fluorescent lamp that contains mercury. Disposal may be regulated in your community due to environmental considerations. A polarized plug has two blades with one wider than the other. A grounding type plug has two blades and a third grounding prong. The wide blade or the third prong are provided for your safety. Servicing is required when the apparatus has been damaged in any way, such as power supply cord or plug is damaged, liquid has been spilled or objects have fallen into the apparatus, the apparatus has been exposed to rain or moisture, does not operate normally, or has been dropped. Operation is subject to the following two conditions 1 This device may not cause harmful interference, and 2 this device must accept any interference received, including interference that may cause undesired operation. To assure continued compliance, follow the attached installation instructions and do not make any unauthorized modifications. Note This equipment has been tested and found to comply with the limits for a class B digital device, pursuant to Part 15 of the FCC Rules. These limits are designed to provide reasonable protection against harmful interference in a residential installation. This equipment generates, uses, and

can radiate radio frequency energy, and if not installed and used in accordance with the instructions, may cause harmful interference to radio communications. However, there is no guarantee that interference will not occur in a particular installation.

The user may find the booklet "Something About Interference" available from FCC local regional offices helpful. Warning To assure continued FCC emission limit compliance, follow the attached installation instructions and the user must use only shielded interface cables when connecting to host computer or peripheral devices. If DVI-D port is to be used it must connect to PC by compatible interface cable with twisted pair core. Also, any unauthorized changes or modifications to this equipment could void the user's authority to operate this device. S3125A Wrongly wired extension cords are a major cause of fatalities. The fact that the equipment operates satisfactorily does not imply that the power point is earthed or that the installation is completely safe. To reduce the risk of electric shock, do not remove covers. No user serviceable parts inside. Refer servicing to qualified service personnel. To prevent risk of electric shock or fire hazard due to overheating, ensure that curtains and any other materials do not obstruct the ventilation. CAUTION Remove the wall mount adaptor when not used. Otherwise people moving in the vicinity of the monitor could get caught on the bracket and be injured. AC Adapter The rating plate is on the underside of the AC Adapter. Read this first! for BTLH2550E Take care especially during transportation. Exposing the LCD panel to strong pressure may result in blurring or other damage. Operating precaution Operation near any appliance which generates strong magnetic fields may give rise to noise in the video and audio signals. If this should be the case, deal with the situation by, for instance, moving the source of the magnetic fields away from the unit before operation. FOR U.K.

ONLY This appliance is supplied with a moulded three pin mains plug for your safety and convenience. A 13 amp fuse is fitted in this plug. Should the fuse need to be replaced please ensure that the replacement fuse has a rating of 13 amps and that it is approved by ASTA or BSI to BS1362. Check for the ASTA mark or the BSI mark on the body of the fuse. If the plug contains a removable fuse cover you must ensure that it is refitted when the fuse is replaced. If you lose the fuse cover the plug must not be used until a replacement cover is obtained. A replacement fuse cover can be purchased from your local Panasonic Dealer. Caution for AC Mains Lead FOR YOUR SAFETY PLEASE READ THE FOLLOWING TEXT CAREFULLY. This product is equipped with 2 types of AC mains cable. One is for continental Europe, etc. Do not place the monitor face down during transportation to prevent damaging it. Keep it upright. Be sure to consult with the service person about the installation. Make sure that the wall is strong enough to endure the weight of this unit including the mount fittings. Front panel controls . This switch turns the power On and Off. Set the switch to to turn it on. Power LED When the power is turned on, the LED lights green. DC IN Connect the supplied DC cord of the supplied AC adapter to this terminal. Rear panel terminals .Each press of the button changes the lines in the following order VIDEO. The INPUT menu can be set to skip input lines that are not used. MENU button Press to open a menu, exit a menu or return to a previous menu. Front panel controls The buttons are made of plastic film. Do not use pointed objects such as fingernails, pens or screwdrivers to press the buttons as the resulting damage or deformation could prevent proper contact. 7 8 9 10 7 8 9 10 Controls and Their Functions continued This terminal supports embedded audio.

DVI-D terminal DVI-D An HDCP compliant DVI-D signal input terminal. OUT This is the input signal through out terminal. GPI input terminal D SUB 9pin External control is possible by using a GPI signal. RS232C terminal D SUB 9pin External control is possible by using an RS232 signal. Rear panel terminals 11 12 19 1 3 1 8 15 16 17 14 11 12 13 14 15 16 17 1 8 19 Controls and Their Functions continued POWER lamp This lamp lights green when the POWER switch is set to on. DC OUT This is the DC output terminal. This terminal enables connection of a DC cord. A C

Adapter 2 3 4 1 Controls and Their Functions continued Use the supplied screw for securing power cord and the power cord hook to secure the power cord to the AC adapter. 2. Slide the supplied DC cord into the DC OUT terminal on the AC adapter until it is locked in place. 3. Slide the DC cord into the DC IN terminal on the unit until it locks in place. 4. Connect the power cord to an AC outlet. 5. Turn on the POWER switch. The POWER LED lights green. Connecting the power cord Power cord hook Screw Power cord Be sure to use the supplied AC adapter. Do not use the supplied AC adapter for powering other devices. The AC adapter generates heat during use, which is normal and not a cause for concern. It also allows you to select display mode CC1 to CC 4. In split screen display, closed captions appear only when a VIDEO input line is displayed in the main window. TIME CODE display TC NDF . DF CLOSED CAPTION CC display How to Use the On Screen Menu continued No marker display 95% area marker 93% area marker 90% area marker 80% area marker 89% area marker TYPE1 88% area marker TYPE2 This area marker can be varied in 1% increments in the range between 80 % to 95%.

Turns the display off Turns the display on Main Menu continued TYPE2 The effective horizontal area meets the EIARS 170 for NTSC and ITUR BT 4704 for PAL. The above indicate values when the 169 and 43 sub menus are selected. CROSS HATCH OFF LOW HIGH Turns the cross hatch grid on and off and sets its density. VISTA marker, CNSCO marker This marker is displayed as a horizontal dotted line. The marker is displayed as a vertical dotted line when "UNDER" is selected under "SCAN" in the "VIDEO CONFIG" menu. Simultaneous display example The section becomes the "MARKER BACK". Each press of the button "FUNCTION1" to "FUNCTION 5" to which the "CROSS HATCH" has been assigned turns the function on and off. Each press of the FUNCTION button to which the "CROSS HATCH" function is assigned changes the display as shown. The color space in the subwindow can be set in the split screen display and subwindow display single screen of the "TWO WINDOW" function. Both the main window and subwindow can be set up in the split screen display of the "TWO WINDOW" function. The item display moves to the lower part of the screen during adjustment. Both the main window and subwindow can be set up in the split screen display of the "TWO WINDOW" function. The item display moves to the lower part of the screen during adjustment. Main Menu continued This function is not available in the split screen display of the "TWO WINDOW" function. Normal display Underscan COLOR GAIN R 0 30 Fine tunes R component GAIN in split screen mode and subwindow display single screen of the "TWO WINDOW" function. COLOR GAIN G 0 30 Fine tunes G component GAIN in subwindow input in the split screen display and subwindow display single screen of the "TWO WINDOW" function.

COLOR GAIN B 0 30 Fine tunes B component GAIN in subwindow input in the split screen display and subwindow display single screen of the "TWO WINDOW" function. IP mode "MODE1" performs IP conversion using interframe interpolation. The factory default is "MODE1". "MODE2" performs IP conversion using interfield interpolation. Since interpolation is performed inside each field, this mode is suitable for checking interlace status. Main Menu continued Adjusts the CONTRAST. MENU POSITION CENTER LB RB RT LT Positions the onscreen menu. After loading user data, the screen displays the signal selected before user data was loaded. Starts in the mode used when the power was last turned off. Starts up using USER registered settings. POWER SAVE MODE OFF ON Sets the power save mode Does not activate the POWER SAVE mode. The backlight dims when no signal NO SIGNAL is input for 60 seconds or longer. Signal input or menu operation will return the backlight to its normal brightness. CALIBRATION Connect a CA210 color analyzer and use this submenu to make a calibration. It also returns calibration data to factory defaults. page 30, 31 CA210 side Straight BT LH2550 Side Pin number Signal Pin number Signal 1C D 1 N. C. 2R X D 2 T X D 3 TXD 3 RXD 4D T R 4D S R 5G N D 5 G N D 6D S R 6 D T R 7 RTS 7 C TS 8 CTS 8 R TS 9G N D 9 N. C. Konica Minolta CA 210 display color analyzer This unit Konica Minolta CA PU12 or CA PU15 standard measurement probe RS232C

cable Calibration W R G B x 0.3091 0.6759 0.2 029 0.1495 y 0.3429 0.3 126 0.691 0.0587 Lv 195.3
47.56 13 5.2 13.21 Main Menu continued This sta r ts ca libration.Sele ct "RESE T" and sele ct "YES
" in the co nfirmati on scr een tha t appears to retur n c alibrated values to their factor y
defaults.The di splay changes in the f ollowin g order. Use this fu nction to c heck phase and chroma.
Th is button tog gles between ON and OFF.

<http://www.drupalitalia.org/node/71461>