

PC-D320/D340 FAX-L400 SERVICE MANUAL


File Name: Canon fax l 400 service manual.pdf
Size: 1422 KB
Type: PDF, ePub, eBook
Category: Book
Uploaded: 5 May 2019, 17:31 PM
Rating: 4.6/5 from 757 votes.

REVISION 0

PC-D320	H12-2553	230V	EC/UK/GER/FRN/ SWI/AST/SAF
PC-D340	H12-2563	230V	EC/UK/GER/FRN/ SWI/AST/SAF
FAX-L400	H12-2573	230V	EC/UK
FAX-L400	H12-2575	230V	GER
FAX-L400	H12-2577	230V	FRN
HANDSET APPARATUS			

Download Now!

Please check the box below to proceed.

I'm not a robot 
reCAPTCHA
Privacy - Terms

Canon
HY8-10AX-000
JAN. 2003
COPYRIGHT © 2003 CANON INC. CANON PC-D320/D340 FAX-L400 JAN. 2003

Book Descriptions:

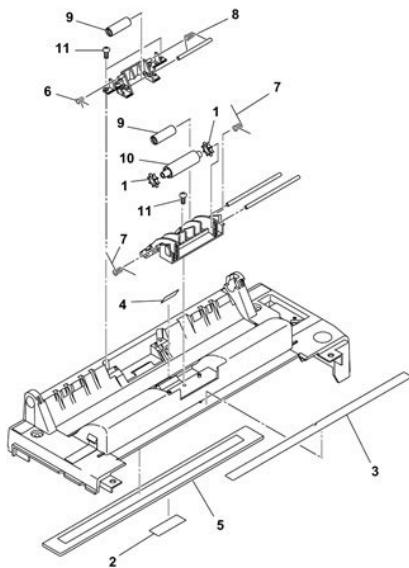
Canon fax l 400 service manual



We have 5 Canon FAXL400 manuals available for free PDF download Service Manual, Facsimile Manual, Quick Reference Manual, Specifications Windows 98. FAXL280 User Manual After you finish reading this guide, store it in a safe place for future reference. All rights reserved. No part of this publication may be reproduced, transmitted, transcribed, stored in a retrieval system, or translated into any language or computer language in any form or by any means, electronic, mechanical, magnetic, optical, chemical, manual, or otherwise, without the prior written permission of Canon, Inc. Refer to the Software Guide for details on the topic of the previous sentence. The word "machine" refers to the FAXL400 model. A setting that remains in effect unless you change it. To dial using these keys, you need to register the number for onetouch speed dialling. When the Function key is pressed, the following keys can be used for the fax functions. Connects to information services that accept tone dialling only, even if you are using a rotary pulse. B Space Key Enters a space between letters and numbers. You can adjust settings directly via the operation panel of the machine. Detailed instructions are described in this guide. Continue entering other numbers using the numeric keys. Correcting a Mistake If you make a mistake while entering letters, symbols, or numbers, you can delete it by pressing Delete or Clear. The date and time currently set for the machine are displayed. If you are unsure of your telephone line type, check with your local telephone company. The factory default setting of your machine varies depending on the current country selection. If your machine is connected through a PBX or other telephone switching system, you have to dial the outside line access number first, and then the number of the party you are calling. If you selected PREFIX in step 5 Press OK. You can dial that number by pressing only one or a few keys. Repeat for other codes. <http://www.todoferdistribuciones.com.co/userfiles/download-manual-update-forefront-client-security.xml>

- **canon fax l400 service manual pdf, canon fax l 400 service manual, canon fax l 400 service manual pdf, canon fax l 400 service manual download, canon fax l 400 service manual free, canon fax l 400 service manual online.**

FIGURE 25 PC-D340/FAX-L400 ADF BASE ASS'Y



2-49

Keep these lists near your machine so you can refer to them when dialling. Printing Speed Dialling Lists Press Additional Functions.CONNECTION ID DESTINATION ID Canon DEUTSCH. Canon FRANCE Canon GROUP 1 Canon U. S. A. Canon UK Sorted list destinations listed in alphabetical order. The machine allows you to adjust the resolution and scanning density to best suit your particular document. Press Exposure to select the scanning density.Press Start. This section explains these two methods.Repeat for other codes.This feature is called Delayed sending or Timer sending. By using this feature, you can take advantage of lower long distance rates at night, for example. You can set up to 140 destinations, and up to 20 reservations for delayed sending. Confirming Transmission Status The sending or receiving status can be confirmed using the following method Press System Monitor.The machine stores faxes that are received but not printed because paper or toner has run out, a paper jam has occurred, or documents have not been transmitted due to a transmission error.Once you have decided which mode is suitable for your needs, set the mode as described in the User's Guide. You can change the mode when the machine is in standby mode. Press Receive Mode until the mode you want appears.You can activate reception from the machine or from the telephone connected to the machine this is called Remote receiving. For details on the Polling ID, see the other party's. This procedure starts polling the other fax machine immediately.Before You Can Be Polled to Send Before you can use polling sending, you must create a polling box using the POLLING BOX setting of the Additional Functions. Select this setting if you expect that the OFF document will be polled by more than one fax machine.The document remains in the polling box so that it can be polled by other fax machines. To use polling sending, you have to previously create a polling box. Place your documents on the machine.<http://goodwillintlhr.com/userfiles/download-manual-update-windows-xp-sp3.xml>

PC-D320/D340 FAX-L400 SERVICE MANUAL

REVISION 0

PC-D320	H12-2553	230V	EC/UK/GER/FRN/ SWI/AST/SAF
PC-D340	H12-2563	230V	EC/UK/GER/FRN/ SWI/AST/SAF
FAX-L400	H12-2573	230V	EC/UK
FAX-L400	H12-2575	230V	GER
FAX-L400 HANDSET APPARATUS	H12-2577	230V	FRN

Canon

JAN. 2003

HY8-10AX-000

COPYRIGHT © 2003 CANON INC.

CANON PC-D320/D340 FAX-L400 JAN. 2003

Press Additional Functions. The length and location of the pause depend on the telephone system of your country. If your machine is connected to a rotary pulse line, follow this procedure to set the machine temporarily for tone dialling Press FAX to set to Fax mode. This is called Dial tone detection. You can make calls or send faxes if your telephone is connected to the machine. Calls are restricted when you make calls using the handset or the Hook key. If a different paper size is loaded, the report or list can not be printed. Canon FRANCE. This section describes messages related to fax functions. Message The paper size setting is set to a size other than CHANGE PAPERSIZE letter, legal, A4, B5, or A5. There may be other documents being sent from memory. If the copy is clear, the problem may be in the receiving fax machine. If the copy is spotted or dirty, clean the platen glass or the read area of the platen glass. The sending fax machine can not send the CNG signal that tells the machine that the incoming signal is a fax. Canon's support personnel are trained in the technical support of Canon's products and should be able to help you with your problem. The details on contacting your local authorised Canon dealer or the Canon Help Desk. The values shown here are average values. COMMON SETTINGS Name DEFAULT SETTINGS. Descriptions Adjusts the volume of the done tone sounded when the machine has finished receiving faxes. If your fax machine is not connected through a PBX, you can ignore these settings. The fax is connected to the outside line. The fax is connected through a PBX. Select one of the following settings, depending on the type of PBX in service. ECM Error Correction Mode transmission is turned on or off. All transmissions are conducted with ECM if the other party's fax supports ECM. Sets the duration that the machine listens for a fax tone before starting to ring. Descriptions Sets the functions of FAX DEFAULT, LOCK PHONE and COUNTRY SELECT.

Descriptions Prints out a list of items set or registered in the Additional Functions. Please do not offer the downloaded file for sell only use it for personal usage. Looking for other manual For this no need registration. May be help you to repair. You could suffer a fatal electrical shock. Instead, contact your nearest service center. Note! To open downloaded files you need acrobat reader or similar pdf reader program. In addition, Also some files are djvu so you need djvu viewer to open them. These free programs can be found on this page needed progs If you use opera you have to

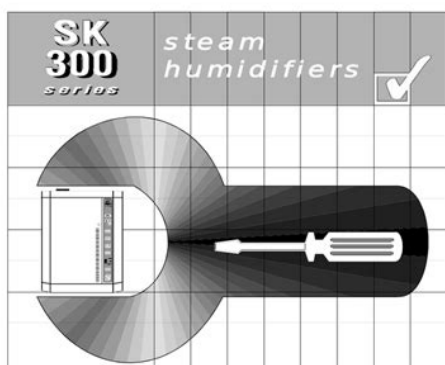
disable opera turbo function to download file. If you cannot download this file, try it with CHROME or FIREFOX browser. Ismeri valaki Canon IP4000 bekapcs gondok Sziasztok! Csapdaba estem, a saját nyomtatom adta meg magat. Egy festekpatron csere után azt kerte a nyomtató, hogy nyomjam meg az újratek gombot. Ezután a nyomtató kikapcsolt és képtelen vagyok újra bekapcsolni. Szetbontás után a tapon két feszültséget merek, olyan 7,6V és 8,4V körül. A tapjónak tunik. Azt írja a szervizkönyv, hogy ilyen esetekben cseréljünk tapot, vagy logic boardot, azaz a főpanelét. Akkor persze kukába megy az egész, mert azt beszerezni csak szervizen keresztül lehet, többé kerül a leveles, mint a hú. Kérdésem tudja-e valaki, hogy hány volttal megy ez a kábel, mert amit mertem az szerintem nudli. Illetve olvastam a fórumon egy hasonló jószágról, ahol is a tap szekunder oldalán van egy tranzisztor, ami a standby üzemmódot kapcsolja. Canon PIXMA MG2555S ink waste reset Helló. A tárgybéli nyomtató 1700-as hibát jelez, torolnom kellene a tinta hulladéklerakó számlálóját. Az interneten ehhez a típushoz nem találtam semmit, a többi nyomtatóhoz ajánlott nyomogatások sikertelenek. Tud-e ebben valaki segíteni. Előre is köszönöm. Similar manuals You can write in English language into the forum not only in Hungarian.

<https://www.interactivelearnings.com/forum/selenium-using-c/topic/14272/4-speed-manual-transmission-granny-gear>

Page Count 1 Each of the above parts is further divided into the following four chapters Chapter 1 General Description This part explains product specifications and the how to service the unit safely. It is very important, so please read it. Chapter 2 Technical Reference This part explains the technical theory the product. Chapter 3 Assembly and Disassembly This part explains the assembly and disassembly of the product. Chapter 4 Maintenance and Service This part explains how to maintain the products for adjustment and troubleshooting and service operations and service switches. See G3 Facsimile Service Data Handbook supplied separately for details them. REFERENCE LINE 6 FEATURES 1 1 1.1 Overview 1 1 1.2 Option overview 1 2 2. SPECIFICATIONS 1 2 2.1 General Specifications 1 3 2.2 Communication Specifications 1 5 2.3 Scanner Specifications 1 7 2.4 Printer Specifications 1 10 2.5 Copy Specifications 1 10 2.6 Functions 1 13 2.7 Interface Specifications 1 16 3. USER DATA FLOW 5 2 2.1 User Data Flow by Operation Panel 5 10 3. OPTION 5 10 3.1 Handset Kit FAXL400 only 5 10 3.1.1 Service operations line 6 When conducting service that requires the main unit to be powered on, be sure to wear some kind of earthing, such as a wrist strap, etc. Otherwise, there is a danger of conduction and electrical shock. Do not replace any battery with one not indicated for the machine, i.e., use one of the same type or

equivalent. Be sure to dispose of used batteries according to local laws and regulations. Fire It is dangerous to throw lithium batteries and parts and components containing flammable substances, such as cartridges, etc., into fire. Such parts and components must be disposed of in accordance with local laws and regulations. Ignition When using solvents such as alcohol, etc., while conducting service, there is a danger of fire igniting from heat from internal circuitry and from sparks.

<http://condit-pack.com/images/browning-9mm-owners-manual.pdf>



installation and service manual

JANUARY, 2002

national environmental products, ltd.
400 blvd. lebeau, st. laurent, quebec, canada H4N-1R6
tel.:(514) 333-1433 fax:(514) 333-3163 toll free (canada) 1-800-361-2308

Before using any such solvents, be sure to switch off the power and allow time for high temperature parts to cool down. Make sure that there is sufficient ventilation when working with solvents. fineline6. This page requires Javascript. Modify your browsers settings to allow Javascript to execute. See your browsers documentation for specific instructions. All manuals on ManualsCat.com can be viewed completely free of charge. By using the Select a language button, you can choose the language of the manual you want to view. Quick Reference Guide. Downloaded from www.Manualslib.com manuals search engineYour machine includes the following documentation. This documentation has been designed so that you canSetting Up the Machine. Installing CARPS Software. Document and Paper Handling. Printing with CARPS Software. Making Copies. Maintenance. Troubleshooting Feed and Copy Issues. Sending and Receiving Faxes. Speed Dialling. Troubleshooting Fax Issues. Printer Properties. Troubleshooting Printer Driver Issues. Copyright. All rights reserved. No part of this publication may be reproduced, transmitted,TrademarksSetup Guide. Quick Reference Guide. User's Guide. Facsimile Guide. Software Guide. Only for the FAXL400 model. Downloaded from www.Manualslib.com manuals search engineChapter 1 Introduction. Customer Support.11. Important Safety Instructions.11. Main Components of the Machine.14. Operation Panel.17. Energy Saver Mode.19. Setting the Energy Saver Mode Manually.19. Restoring from the Energy Saver Mode.19. Chapter 2 Paper Handling. Print Media Requirements.21. Loading Paper.22. Loading Paper in the Cassette.22. Chapter 3 Document Handling. Documents You Can Copy.31. Setting Up Documents.32. Placing a Document on the Platen Glass.32. Chapter 4 Basic Printing from Your Computer. Before Printing.41. Printing from the CARPS Software Ex. Windows 98.42. Cancelling Printing.42. Changing Print Settings.43.

<https://conform-edit.com/images/browning-380-auto-manual.pdf>



Copying Documents.51. Cancelling the Copy Job.52. Basic Copying Functions.53. Making Multiple Copies.53. Specifying the Paper Size and TypeSetting the Image Quality.57. Adjusting the Copy Exposure.58. Special Features.59. Contents. Downloaded from www.Manualslib.com manuals search engineChapter 6 System Monitor. Checking the Status of Copy, Fax, Print and Report Jobs.61. Chapter 7 Maintenance. Periodic Cleaning.71. Cleaning the Exterior.71. Cleaning the Scanning Area.71. When to Replace the Cartridge.73. Copy Yield.74. Handling and Storing the Cartridge.74. Replacing the Cartridge.76. Chapter 8 Setting the Additional Functions. Understanding the "Additional Functions".81. Accessing the Additional Functions.81. Menu Descriptions.82. Downloaded from www.Manualslib.com manuals search engineIn order to use the machine safely, always pay attention toBe certain to read these items to operate the machineReading these is highly recommended.A menu has a titleAvailable menus and the display differ depending on the machine type. This guide showsIn addition, this guide uses distinctive typefaces to identify keys and information in the LCDDownloaded from www.Manualslib.com manuals search engineUsing your product to scan, print or otherwise reproduce certain documents, and the use of such images as a nonexhaustive list of these documents is set forth below. This list is intended to be aLegal Limitation on Usage of Your Product and the Use of Images. Downloaded from www.Manualslib.com manuals search engineDownloaded from www.Manualslib.com manuals search engineIf you encounter a problem. If you can not solve the problem or if you think your machineRead these safety instructions thoroughly before using your machine, and keep them handy in case you need toFor cardiac pacemaker users. If you use a cardiac pacemaker andThere are hightemperature and highvoltage components insideIf inflammable substances come intoDuring use, the machine generates ozone.

However, the amount of ozoneNevertheless, if theCustomer Support. IntroductionChapter 1. Downloaded from www.Manualslib.com manuals search engineElectrical storms may causeThese devices generate anOperate the machine only from the type ofIf you are not sure of the type of power available, consultIf these items are dropped or spilled in the machine, unplug theThen, contact your serviceThis may damage the platen glassToner powder is flammable. Dust accumulation may prevent the machine from operating properly.Left Side ViewDownloaded from www.Manualslib.com manuals search engineIntroductionAlso displays selections, text, and numbers

when specifying Determines the contents you set or register. Also, if the document being scanned stops in the ADF, pressing Scroll through the selections so you can see other settings. Sets an enlargement or reduction ratio of the copy. Adjusts the copy exposure. Customizes the way your machine operates. Sorts copies in order of pages or reduces two A4size documents to fit on a single A4size sheet. Adjusts the quality of copy image. Checks the status of copy, fax, print and report jobs. Switches standby display to Copy mode. Introduction Switches standby display to Fax mode. Lights green during copying or when the copy job is stored in memory. CA Alarm indicator. Flashes orange when the machine has a problem such as a paper jam. The error message is displayed in the Sets or cancels the energy saver mode manually. The key lights green when the energy saver mode is set, and ENumeric keys. Enter copy quantity and other numerical values. Cancels copying and other operations, and returns to standby display. Also, this key is used to confirm the GStart key. Starts copying. Downloaded from www.Manualslib.com manuals search engine When no operations are performed for about 5 minutes, the Setting the Energy Saver Mode Manually Restoring from the Energy Saver Mode However, it may vary according to Introduction Some types off you have any questions about Paper Storage.

<https://diagonal.org.ar/wp-content/plugins/formcraft/file-upload/server/content/files/16270fdedaa847---bowflex-treadclimber-service-manual.pdf>

In order to prevent paper jams, follow the procedure below. Store paper in a dry Unacceptable Paper. Do not copy on the following types of copy stock; doing so will result in paper jams. Doing so may result in copier malfunction. Acceptable Paper This is because safety function works to prevent the failure due to the heat. Paper. Handling Chapter 2. Paper size. Paper weight. Type of paper Downloaded from www.Manualslib.com manuals search engine Downloaded from www.Manualslib.com manuals search engine Press Additional Functions, then After that, reload it in the cassette. Handling When copying a transparent document such as tracing paper or transparencies, place a plain piece of white Documents You Can Copy. Document. Handling Chapter 3. Type of document. Size W L. Quantity. Weight. Platen Glass Max. 216 mm 297 mm. A4 210 mm 297 mm Max. 2 kg Max. 216 mm 356 mm. Min. 148 mm 105 mm. Downloaded from www.Manualslib.com manuals search engine Where you set up your. Placing a Document on the Platen Glass Align the document with the appropriate Positioning Documents. Use the size indicators on the left side of the platen glass to position a document. Downloaded from www.Manualslib.com manuals search engine Handling If more than 50 sheets of A4size Check if the machine is selected as the default printer. Follow this procedure if it is not selected. Before Printing. Basic. Printing Your. Computer Computer. Chapter 4. Downloaded from www.Manualslib.com manuals search engine If not, select your machine from the printer name dropdown list. Cancelling Printing Printing from the CARPS Software Downloaded from www.Manualslib.com manuals search engine Your machine is initially installed using factory predefined settings, enabling you to print immediately. These You can change these print settings to suit the Unless you save your settings as a profile, your settings are available only for the Basic. Computer Ex You can set the features below. Documents You Can Copy. Making. Copies Chapter 5 Ex. PAPER.

aryanrealty.com/ckfinder/userfiles/files/competency-based-performance-appraisal-system-for-teachers-manual.pdf

Load paper in the cassette or multipurpose tray. When paper is loaded, the machine automatically Cancelling the Copy Job Copies You can make multiple copies. Ex When the auto clear function activates, the LCD returns to the standby display and the number of Specifying the Paper Size and Type To prevent copies from being dirty, wait about one minute before Normally, you can make copies in this setting. However, when the copy images or the back of the paper are dirty, you can prevent the paper from getting dirty ENVELOPE or FREE SIZE. If you select ENVELOPE, Use 4 Available setting range in vertical size 76 mm to 216 mm. PLAIN PAPER is selected as the default

paper type. When making copies on paper other than plain paper, you specifying the paper type can prevent poor copy quality, or Press Additional Functions, then Ex. Ex Ex INCH 50%, 64%, 78%, 100%, 129% and 200%. AB 50%, 70%, 81%, 86%, 100%, 115%, 141% and 200%. Copies Ex. To increase the copy Ex Copies You can adjust image quality to the appropriate level best suited for a document with text or photos. Three modes Ex. Each time Image Quality is pressed, the image quality mode changes as follows. Suitable for making copies from text originals. Good copies can be made from even blueprints or faint pencil Suitable for making copies from originals containing both text and photos, or photo originals containing half Suitable for making copies from photos printed on photographic paper. Press Additional Functions, then You can adjust the copy exposure automatically or manually according to how light or dark your document is. Ex Ex Ex. Ex Ex. When setting the exposure darker, the Copies These features allow you to sort copies in page order Sorts copies in page order. Reduces two A4 size documents to fit on a single A4 size paper. Reserves the next job while the machine is printing out. Special Features. Downloaded from www.Manualslib.com manuals search engine When using System Monitor, the LCD displays the jobs in the following order in each mode.

In Copy mode, In Fax mode, Ex. Ex Once the job is deleted, the job can not be restored. Report Jobs. System. Monitor Chapter 6. Downloaded from www.Manualslib.com manuals search engine Ex. Ex Once the job is deleted, the job can not be restored. Using characters other than those in ASCII cord may Downloaded from www.Manualslib.com manuals search engine Ex Ex Once the job is deleted, the job can not be restored. Monitor This section describes the necessary cleaning procedures for Use a soft cloth to avoid scratching the components. Cleaning the Exterior. Wipe the machine's exterior with a clean, soft, lintfree cloth moistened with water or diluted dishwashing Cleaning the Scanning Area. Wipe the scanning area shaded area with a clean, soft, lintfree cloth moistened with water, then wipe with a Platen glass. Platen glass cover Maintenance Chapter 7. Downloaded from www.Manualslib.com manuals search engine This is caused by paste, ink, correction fluid, or other foreign matters in the read area of the platen glass shaded Take particular care to clean at the locations where the If you have trouble getting the glass clean, wipe with a cloth moistened with water or a mild neutral detergent, Whenever you load a document in the ADF, always check to make Paste, ink, Black lines. Copy. Downloaded from www.Manualslib.com manuals search engine The following guidelines will help you to determine when to replace the cartridge. If white streaks or light bands If the copies appear normal. Remove the cartridge from the machine. Always hold the cartridge as shown so Rock the cartridge five or six times to Reinstall the cartridge in the machine. Then, make a few test copies. If white streaks or light bands You can use the cartridge, Replace the cartridge with a. Paper feeding Instructions. When to Replace the Cartridge. Downloaded from www.Manualslib.com manuals search engine This section describes the approximate number of copies that can be made per cartridge.

Approximate Copy Yield Toner consumption will However, although you may be able to Handling and Storing the Cartridge. This section describes the precautions to ensure optimum copy quality. Handling Precautions If you use a cardiac pacemaker and feel This can adversely effect the quality of your copy images e.g., copies are completely black. When the machine is exposed to such conditions, allow at least two hours for the machine to adjust to Drum protective shutter. Instructions If the contents of these items Then, place the bagged cartridge into its shipping box. Store the unused cartridge out of direct sunlight. Then place the bagged cartridge into its shipping box and store it Store it in a location where the. Relative Humidity 20% to 80%. Storing Partially Used Cartridges. If you remove a cartridge from the machine, store the cartridge as described below. Place the cartridge in its protective bag so that the side with the written instructions is facing upward. Then, place Be sure to securely close the lid of the shipping box. If you do not have the protective bag or shipping box for the cartridge, store the cartridge in a dark location. Recycling Used Cartridges. In order to make effective use of the earth's natural resources and protect the environment, we urge you to Do our part by returning used cartridges to the place of purchase. Before replacing the You

may need it later when you remove the cartridge from the machine. Downloaded from
www.Manualslib.com manuals search engine Grip the sealing tape tab and snap it in the
Make sure that the tab itself is detached from the cartridge. Throw the tape away. Instructions.
Maintenance Perhaps the users of ManualsCat.com can help you answer your question. By filling in
the form below, your question will appear below the manual of the Canon FAXL400. Please make
sure that you describe your difficulty with the Canon FAXL400 as precisely as you can.

The more precise your question is, the higher the chances of quickly receiving an answer from
another user. You will automatically be sent an email to inform you when someone has reacted to
your question. After you finish reading this guide, store it in a safe place for future reference. U kunt
hieronder aangeven waarom deze vraag ongepast is. Wij controleren de vraag en zodanig wordt
deze verwijderd. Emailadressen en volledige namen worden niet als privegegevens beschouwd. Wij
vragen u dus ook te reageren op een antwoord. Laat uw emailadres achter op deze site, zodat u op
de hoogte blijft. U krijgt dan ook andere vragen en antwoorden te zien. De handleiding is 3,27 mb
groot. Als u geen email heeft ontvangen, dan heeft u waarschijnlijk een verkeerd emailadres
ingevuld of is uw mailbox te vol. Daarnaast kan het zijn dat uw internetprovider een maximum heeft
aan de grootte per email. Omdat hier een handleiding wordt meegestuurd, kan het voorkomen dat
de email groter is dan toegestaan bij uw provider. Controleer uw email Vul dan hier uw emailadres
in.

<http://superbia.lgbt/flotaganis/1648176185>