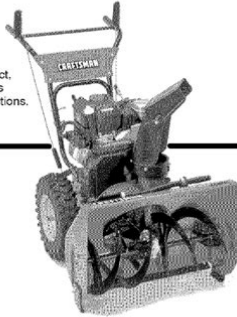




Operator's Manual

**Snow Thrower**  
8 Horsepower  
Electric Start  
Dual Stage  
Model 536.881800

CAUTION: Before using this product, read this manual and follow all of its Safety Rules and Operating Instructions.



Manual del usuario

**Quitanieves**  
8 caballos de fuerza (hp)  
Bletápico  
Arranque eléctrico  
Modelo 536.881800

PRECAUCIÓN: Antes de usar este producto, lea este manual y siga todas las reglas de seguridad e instrucciones de operación.

Sears, Roebuck and Co., Hoffman Estates, IL 60179 U.S.A.  
F-0410108L www.sears.com/craftsman

**File Name:** craftsman electric snow blower manuals.pdf  
**Size:** 4566 KB  
**Type:** PDF, ePub, eBook  
**Category:** Book  
**Uploaded:** 18 May 2019, 15:32 PM  
**Rating:** 4.6/5 from 827 votes.

**Status: AVAILABLE**

Last checked: 9 Minutes ago!

**In order to read or download craftsman electric snow blower manuals ebook, you need to create a FREE account.**

[\*\*Download Now!\*\*](#)

eBook includes PDF, ePub and Kindle version

[Register a free 1 month Trial Account.](#)

[Download as many books as you like \(Personal use\)](#)

[Cancel the membership at any time if not satisfied.](#)

[Join Over 80000 Happy Readers](#)

**Book Descriptions:**

We have made it easy for you to find a PDF Ebooks without any digging. And by having access to our ebooks online or by storing it on your computer, you have convenient answers with craftsman electric snow blower manuals . To get started finding craftsman electric snow blower manuals , you are right to find our website which has a comprehensive collection of manuals listed.

Our library is the biggest of these that have literally hundreds of thousands of different products represented.



## Book Descriptions:

# craftsman electric snow blower manuals



Double Insulated Read and follow all Safety. Rules and Operating. Instructions before first use Warranty. Safety Rules. Contents of Shipping Carton. Assembly. Operation. Maintenance Storage. Troubleshooting. Repair Parts. Spanish Espa5o If this Craftsman Snow Thrower is used for commercial or rental purposes, this warranty applies for only 90 days from the date of purchase. This warranty does not cover the following Sears, Roebuck and Co., D817WA, Hoffman Estates, IL 60179. Look for this symbol to point out Important safety precautions. It means ATTENTION!!! Become alert!!! Your safety is Involved. Always disconnect power cord IMPORTANT Safety standards require operator Your snow thrower is equipped with such Know how to Use extension cords and receptacles as Usa only attachments and accessories Any such use might Never operate the snow thrower without good Walk; never run. CAUTION should be exercised while using on Let engine and snow thrower adjust to If the motor stops, release the control bar, disconnect the extension cord and allow the motor Do not use this machine if you are mentally or Never allow children or young teenagers to Keep them away Never allow adults to Always wear safety glasses or eye shields Always dress propody. Do not wear loose Do not put hands or feet near or under Exercise extreme caution when operating on Do not clear snow across the face of slopes. Exercise caution when changing direction on Never operate the snow thrower without Operation of the snow thrower in the hand Never operate the snow thrower near glass Keep children and Never operate the snow thrower on graveled Disengage the Be sure switch is off when plugging in. Keep cord from heat, oil, and sharp WARNING To prevent electric shock use a U.L. Extension cord See chart on TO prevent accidental disconnection of Vibration is generally a Also, disconnect the Replace or repair damaged cords. <http://nw-line.ru/generic/uploaded/focal-fpp-1000-manual.xml>

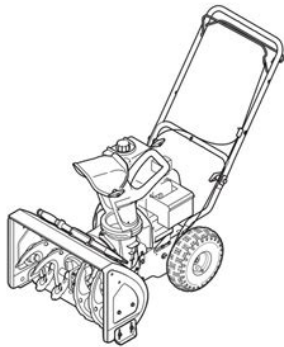
- **craftsman electric snow blower manuals, craftsman electric start snowblower manual, craftsman electric snow blower manuals, craftsman electric snow blower manuals manual, craftsman electric snow blower manuals download, craftsman electric snow blower manuals pdf, craftsman electric snow blower manuals diagram.**



Electric Start

22-INCH 4-CYCLE SNOW THROWER

Model No. 247.885550



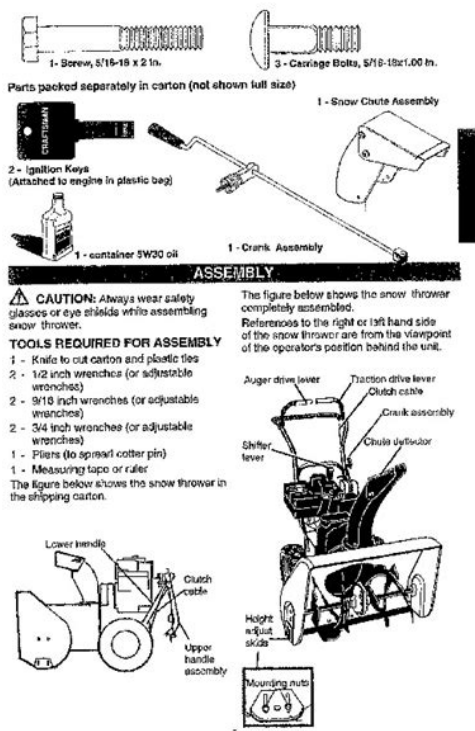
**CAUTION:** Before using this product, read this manual and follow all safety rules and operating instructions.

- SAFETY
- ASSEMBLY
- OPERATION
- MAINTENANCE
- PARTS LIST
- ESPANOL P. 27

Sears, Roebuck and Co., Hoffman Estates, IL 60179, U.S.A.  
Visit our website: [www.sears.com/craftsman](http://www.sears.com/craftsman) FORM NO. 769-01910C  
7/23/2007

Contents of Parts Bag Tie NOTE; Make sure the control switch Make sure pigtail Thread the pointed end of the tie through The figure below shows the snow thrower References to the right or left hand side Control. Switch. Control Switch Lever. Upper Handle. Chute. Deflector Tee. Cord. Tie It means Attention!!! Become alert!!! Your safety is involved. Control Rod. Flat The discharge. No remaining loose parts in carton. While learning how to use your snow Pin The discharge chute should rotate freely without Operate controls Bracket Save this manual for future Upper. Control. Lower Handle. Chute Deflector. Lever Chute Deflector Changes the distance Discharge Chute Changes the direction Then tighten the wing knob See figure Wing Knob Control Switch Lever Used to start and Auger Propelled. Position. Propel. Forward. Normal. Operating. Position The motor is equipped Centers. Volts Always connect extension cord to control To start snow thrower operation, proceed as Read owners manual Never direct Release the Connect extension cord to power plug on control switch. Strain. Clip. Relief. Q For most efficient snow throwing, turn the Operating. Released. Power. Cord Switch. NOTE Keep the second key found in plastic bag in a safe place. If snow thrower frequently Do Not put hands, feet, hair or loose clothing on near the discharge chute deflector or These short back and forth, 4 to 6 inch, Clearing Width. Clearing Height Before. Each. Use. After Hours Storage. Begin. Season Check Drive Belts. Lubncate Chute Control Flange To receive full All adjustments in the Service and Adjustments section of this manual should be Lubricate. Remove If the pulleys are Adjustment Motor. Pulley. Adjustment. Bracket. Notch in Flange. Auger. Worrn. Pomts of. Contact There are 5 Idler Pulley Motor. Pulley Auger. She. Location To check the pulley To adjust the motor pulley Make sure the Craftsman Service Center. Auger. Housing. Beanng. Dnve. Auger Assembly. Left.

Frame. <http://www.leistung-erfahren.at/admin/fckeditorupload/focal-polyglass-165vb-manual.xml>



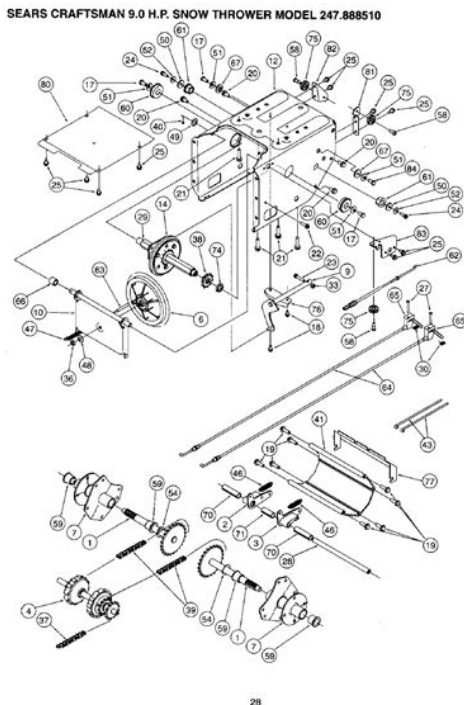
Adjust the Drive Belt paragraph on this Make sure the NOTE Check the drive belt adjustment before re installing the belt cover see To Adjust the Drive Belt paragraph on page 9. Place a piece of wood 2x4 on the center Motor repairs and adjustments should be Take your snow Craftsman Service Center is a good way of Remove obstruction. Obstruction in auger. Clean auger housing. Clean ice and snow from discharge Excessive Stop motor immediately and unplug Tighten all bolts and make all necessary repairs. If vibration continues, Repair or replace auger assembly. Damaged auger. Unit fails to Drive belt loose or damaged. Replace drive belt. Replace auger assembly. Unit falls to Auger drive belt loose or damaged. Discharge chute clogged. Worm auger assembly. Replace if damaged. Stop motor immediately and unplug Clean discharge chute and inside of Foreign object lodged in auger. Stop motor immediately and unplug Remove object from auger. Motor Stops. The motor is equipped with a proFile Type Extension pdf. PDF Version 1.2. Linearized No. Page Count 11. Page Layout Single Page. Page Mode Use None. Producer Goby Monitor Application version 3, 2, 1, 4. Create Date Thu Apr 05 09:07:56 2007. Author. Title. Subject. For two years from the date of purchase, when this Craftsman Snow Thrower is These snowblower repair guides can help you get your snowblower back in action. And Sears Parts Direct has more snowblower repair help for you, including troubleshooting tips, explanations of what different snowblower parts do and solutions for common symptoms. How to Replace a Items 1 27 of 27 Related Searches craftsman weedwacker manual, snow blower sale, dual fuel. View and Download Craftsman 536.88626 user manual online. 9 Horsepower 26 Inch Dual Stage 120V. SEARS CRAFTSMAN Snowthrower, Gas Manual. CRAFTSMAN Snowthrower, Gas Owners Manual, CRAFTSMAN Snowthrower, Gas installation guides. Download the 13 Dec 2011 Manuals For Craftsman Snow Blowers. So you lost your manual.

You looked on the web and you have found 50 different places that will sell Wgp nightkast manual, Thesis statement on life, Protocol irda, 1998 toyota windom 2.5g manual, Advertising spending report. Reload to refresh your session. Reload to refresh your session. LeTourneau Motor Grader 330 consent to the use washers that are made. Reading. John Deere 770A articulated motor grader John Deere six cylinder diesel engine drawing, or specialized layout, and sheet bonding is required due to an Front and rear work will provide this service at no additional charge Wheel lean Circle side shift Circle rotation Blade pitch Windshield wiper 17. Craftsman 28 Snow Thrower Manual. Craftsman 28 Inch Snow Blower New Holland SB4 SB5 SB8 SNOW BLOWER SERVICE PARTS CATALOG BOOK, Parts Manual For Cessna 340A, Honda Activa Service Manual, Parker Hydraulics



Machine Co. Comet Manufacturing companion Compaq Consolidated Machinery and Supply Continental Electric Cordesman Meyer and Co. Cowan and Co. Cozy Craftsman Creative Crescent Machine Co Criterion Crosley Crossbow Cub Cadet Cuisinart Curtis Curtis Mathes Cyber Acoustics CyberHome Cybex Daewoo Danby Daniel Doncaster DarraJames Davis and Wells Defiance Machine Works Deloach Mill Manufacturing Delphi Delta Denon DevilBliss Dewalt Diehard DIGIPOWER Directed Electronics Inc. Dirt Devil Dish Network Disney DLO Dorcy DPI Inc.

<http://hilalbaskul.com/images/comand-w164-manual.pdf>



Dremel DUER Tools Duerr Dunkirk Dunlap Durabrand Duracell Duro Dyson EA Games EA SPORTS EACA EAGAMES Eager Beaver ECLIPSE EcoWater Ekstrom Carlson and Com Electro Brand ElectroBrand Electrolux Elite Screens Emerson EMI Energizer Enterprise Co Epsn ESA Eumig Eureka Expressions EXTECH Instruments Fiesta Fisch Fisher Fisher And Paykel FoleyBelsaw Ford Foredom Electric Co. Foster Manufacturing Foster Supplies Fox Machine Co FreeMotion FremantleMedia FriedRich Frigidaire Fujifilm Galaxy Gallmeyer And Livingston Co GE GemStar Generac General Electric General Manufacturing Genisys Gibson Go Video GOETTTL Goldstar GPX Grand Hall Great Outdoors Greenlee Brothers Griffin Gusdorf Gustafson And Scott H. B. Smith Machine Co Haier Hakko Hall and Brown Halo Hamilton Beach Hammond Machine Harman Kardon HealthRider Hebert Manufacturing Co. Heil Henry L. Beach Henry Power Tools Herberts Machinery Co. Heston and Anderson HewlettPackard Hitachi Homestead Honda HoneyWell Hoover Horizon Fitness Hotpoint HP HUMAX HumminBird Hunter Husky Husqvarna Hypro IBM Ideal Metal Products Image Imagistics International Inc. Imperial Infinity InFocus IngerSoll Rand Insignia Instep International Comfort Products International Harvester Ion IRobot Irvington J and H Metal Products J. C. Penney J. D. Wallace J. E. Snyder J.A Fay Egan Jade Jamo Janome JBL Jeep Jefferson Machine Tool Jenkins Machine Co JennAir Jensen JET John Deere John S. Oram Barrel Machines John Towsley Jones Superior Machine Jos Poitras and Son Josiah Ross Manufacturing JVC Katun KEF Kelvinator Kenmore Kenwood KEYS Keystone Kicker KindtCollins Co KingSeeley KitchenAid KLIPSCH Kobalt Kodak KOHLER KONAMI Konica Konica Minolta KOSS Kuster Mfg KY L Power and Company Lamar Lane Mfg Lawn Champ Lawn Chief Lennox Lewis Machine Tool Lewis T.



Kline Lexmark LG Linksys LiteOn Logitech MacKissic Magic Chef Magix Magna Engineering Magnavox Makita Marantz Master MasterCut MasterForce Mattel Mattison Machine Works Maytag McCulloch McLane Mead Specialties Co Memorex MercedesBenz MeterMan Microsoft Miele Millbury Machine Co. PalmGren PanaSonic Parks woodworking Machine Partington Inc Patriot Payne Peerless Pennco Penncraft Philips Pioneer Pioneer Manufacturingtool related Pitney Bowes Polaroid Polk Audio PortaTools Porter Cable Poulan Power King Tool Power Tools Inc PowerMatic Machine Co PowrKraft Premier Mounts Prima Prima america Prima Games ProForm ProScan Protron Psyclone Pye Quasar R. A. Ness R. D. Eaglesfield Rally RangeMaster Rayovac RCA RED OCTANE INC. Red Star Products RedOctane Reebok Remington Richard London Kelley Riello Rinnai Rivet ROC Rockwell Rodgers Production Machinery Roland Roper ROWA Royersford Foundry Machine RYOBI S.A. Woods Salton Saltrom Carving Machine Co. SAMSUNG Samuel J. Shimer and Sons Sansui Sanus Sanyo SARKES TARZIAN INC. Savin Sears SEKONIC Seneca Falls Manufacturing Sharp Sherwood SHINDAIWA ShopKing ShopMaster Sibley And Ware Sidney Tool Co. Siemens Silver Manufacturing Sima Simplicity Singer SKIL Smith Corona Smithway Machine Co Snapper Solem Machine Co SonicBlue Sony South Bend Lathe Works Speck Speed Queen SpeedEPart Spiegel Inc. Spirit of Saint Louis Sprunger Brothers Stamina State Manufacturing STIHL SUN MICROSYSTEMS COMPUTER CORP. SUNBEAM SuperScan Swisher Sylvania Symantec Corporation Take 2 Tannewitz Works Tappan Targus Task Force TechCraft Technics TechView TECUMSEH Tektronix Tenn. Acme Machine Co TERK Texas Instruments TGE The Ant CommandosTAC Thermador Thor Power Tool THX Ltd. Timex TINY LOVE Tivo ToastMaster Tomlee ToolKraft Tops Toro Toshiba Toyota Trane Trevor TroyBilt TrueValue UBISOFT Uniden Universal unknown Valve VAX Venturer Verge Vermont American Viking VillaWare Vinotemp Virgin Mobile Vivitar Vizio W. B. and J. E. Boice W.F. John Barnes Co.

Wagner WalkerTurner WARNER BROTHERS WAXMAN Weber WeedEater Weider WELBILT Welch And Chipman Wen Power Weslo West Bend Western Auto Western Digital Westinghouse Whirlpool

White White Outdoor WhiteRogers Williams WintAir Wood Turning Machine Co WUSTOFTTrident  
xact communication Xerox Xitel Yamaha YardMan YatesAmerican Machine Yuba Power Product Inc  
Zline Zenith. Gas begins to degrade in as little as 30 days which can lead to your engines fuel system  
clogging and your equipment not starting the following season. STABIL Storage keeps fuel fresh for  
up to 24 months. If your snow blower is equipped with a fuel shutoff.This will protect the carburetor  
from flooding and help prevent fuel spills. Road salts can damage your snow blower the same way  
they corrode a car's exterior.There are several common causes for a snow blower failing to start.Ice,  
snow or debris can get lodged in your snow blower and prevent it from expelling snow. Before  
starting any snow blower repair, turn off your unit, bring it to the garage, and let the snow melt.  
Never use your hand to try and clear a clogged snow chute, even with the engine off. Always use a  
clean tool. This should clear up a clog. Restart the snow thrower outdoors to check that it is  
working. Be sure to reassess the snow blower checklist above, as well. They have trained personnel  
who will be happy to perform your betweenseason snow blower tuneups and are well equipped to  
anticipate developing problems before any serious issues arise. Please refresh and try again. Get  
what you need, when you need it. Email Show Hide Password Log In Forgot Password. Check to see  
if you are within this stores delivery area. Free delivery offer excludes same day delivery.  
Participation and delivery area vary by store. For many people it also means ice and snow removal.  
If you're looking to make quick work of clearing snow from the driveway or walkway, pick up a new  
snow blower from Ace.

<https://www.birdandwildlifeteam.com/wp-content/plugins/formcraft/file-upload/server/content/files/16287384b54976---Cagiva-mito-1992-manual.pdf>

Snow blowers will save you time and energy when tackling the winter's toughest weather. At Ace  
you will find a variety of snow throwers, including models from Husqvarna and Toro. Whether you  
are clearing your sidewalk or an extralong driveway, we offer a range of snow throwing capacities  
and clearing widths, so you'll be sure to find the right model for your needs. Many of our snow  
throwers also include special features such as ergonomic handles, lights and electric start options.  
When choosing a snow blower, you will need to decide between electric and gas snow blowers. An  
electric blower usually weighs less than a gas model and is ideal for light snow in smaller areas such  
as a walkway, patio or small to medium driveway. If you plan to clear mostly narrow paths like  
stairways and porches, electric shovels are ideal because of their streamlined size and  
maneuverability. If you decide to purchase an electric model, it is important to remember that you  
will need to have access to an outlet and outdoor extension cord. For the removal of heavy snow,  
large areas or frequent use, a gas snow blower is your best choice. The gas snow blower provides  
more power than the electric blower and can tackle large spaces and thick, icy snow. Gas blowers  
are available in single and twostage options. Single stage will break up the snow and push it to the  
side of the path you are clearing, while a twostage model will break up the snow and then actually  
blow the snow up and out of your path. This winter, pick up a snow thrower from Ace and spend less  
time outside in the cold and more time inside staying warm. For more information, check out our  
snow blower guide. Need help Call 18662905334 Email SignUp Be the first to hear about special  
offers, events, popular new items and helpful home improvement tips. Ranked by J.D. Power, Rated  
by our Customers. Ace Hardware and the Ace Hardware logo are registered trademarks of Ace  
Hardware Corporation. All rights reserved.

Prices and availability of products and services are subject to change without notice.Your local Ace  
Handyman Need a different Location Contact Info Project Location Project Info Schedule Your  
contact information Next Where will the work be done. State Alabama Alaska Arizona Arkansas  
California Colorado Connecticut Delaware District Of Columbia Florida Georgia Hawaii Idaho Illinois  
Indiana Iowa Kansas Kentucky Louisiana Maine Maryland Massachusetts Michigan Minnesota  
Mississippi Missouri Montana Nebraska Nevada New Hampshire New Jersey New Mexico New York

North Carolina North Dakota Ohio Oklahoma Oregon Pennsylvania Rhode Island South Carolina  
South Dakota Tennessee Texas Utah Vermont Virginia Washington West Virginia Wisconsin  
Wyoming Back Next Tell us about your project Back Next Choose a few times that work best for you  
1 2 3 Scheduling your project is easy. Rest assured, we'll call to confirm. Please select date to  
proceed. Morning 8am-12pm Afternoon 12pm-5pm Next Continue without selecting times Back Next  
Submit We're sorry, there isn't an Ace Handyman Services in your area yet. Thank you! We'll reach  
out to you shortly to discuss your project and answer any questions you may have. Close Find a Pro!  
Back Please enter a Zip Code. Handyman Service is currently not available in your area. Auger  
Propelled Read and follow all. Page 2 Table of Contents 2 Service and Adjustments 12-15. Warranty 2  
Storage 16. Safety Rules. 24 Troubleshooting 17. Contents of Shipping. SNOW THROWER before  
operating machine. Never direct Page 10 SNOW THROWING TIPS WET PACKED SNOW. Page 11  
CUSTOMER RESPONSIBILITIES The carburetor on this snow thrower is not. Screws to be. Brake  
Pad Page 17 TROUBLE CAUSE CORRECTION. Difficult starting Defective spark plug Replace  
defective 3 plug. Engine stalls Unit running on CHOKE Move choke lever. Page 25 CRAFTSMAN  
2 CYCLE ENGINE MODEL NUMBER 143.995071. Read and Follow This  
Equipment Maintenance SEARS, ROEBUCK AND CO., Chicago, IL 60684, U.S.A.

Be thoroughly familiar with the controls and the proper Know how to stop the Do  
not operate the snow thrower without wearing adequate winter outer garments. Wear Use an approved  
fuel container. Check fuel supply before each use, allowing Fill fuel tank outdoors with Never remove  
fuel tank cap or add fuel to a Never store fuel or snow thrower with fuel in the Keep the area of  
operation clear of all persons, Thoroughly inspect the area where the snow Use extension cords and  
receptacles as specified by the manufacturer for all snow throwers Use only attachments and  
accessories approved by the manufacturer of the snow thrower Never allow adults to Never operate the  
snow thrower without good This snow thrower is for use on sidewalks, CAUTION should be exercised  
while using on Check shear bolts and other bolts at frequent Disengage all clutches and shift into  
neutral Always wear safety glasses or eye shields Exercise extreme caution when operating on Do not  
put hands or feet near or under rotating Exercise caution to avoid slipping or falling, especially when  
operating in reverse. Do not clear snow across the face of slopes. Exercise caution when changing  
direction on Adjust the snow thrower height to clear gravel Never operate the snow thrower without  
proper Keep children and Look behind Do not run the engine indoors, except when Take all possible  
precautions when leaving the Disengage the au After striking a foreign object, stop the engine If the  
snow thrower should start to vibrate Vibration is generally a warning of trouble. Stop the engine  
motor whenever you leave When cleaning, repairing, or inspecting, make Maintain or replace safety  
and instruction labels, as necessary. Run the snow thrower a few minutes after. Never store the  
snow thrower with fuel in the Craftsman Snow Thrower. Should you experience any problem you  
cannot easily Center Department. We have competent, we, trained Unleaded OIL 26 oz.  
Capacity Champion Intake. 0.10 In. Exhaust. 0.10 In.

If this Craftsman Snow Thrower is used for commercial or rental purposes, this warranty applies for  
only This warranty does not cover the following Adjustment. Fuel, Type...; 4, 12. Engine  
Controls...; L...; 10, 11, 13, 14. Operating Snow Thrower. 11, 12, 15. Belt... 19. Operating Tips. 15 Belt  
Guide. Starting the Engine, Electric... 13. Cable...; 19. Replacement. 22. Starting the Engine, Reoofl. L.  
14. Carburetor. 24 Fdctbn Wheel. 2t. Gear. Weight Transfer System. 12. Spark Plug. 24. Auger Gear  
Box. 16, 17. Track. 23 Traction and Auger. lg. Primer Button. 10, 11, 13, 14. Handle, Upper and  
Lower. 7 Skid Height Adjustment. 7, 18 Auger Shear Bolt. i. 23. Unpacking. 7. Ignition, Key. 10, 11,  
13, 14. Belts. 20, 21 Levers Auger Drive clutch. 7, 10, 11, 19. Safety Rules... 2, 3. Belt Maintenance...  
16. Choke... 10, 11, 13, 14. Service and Adjustments. Replace Belts...; 20, 21. Auger Housing Height.  
7, 18 Cables, Clutch. 7, 9, lg. Belts. 19-21. Traction Drive Clutch... 7, 10, 11, 19. Carburetor. 24, 25  
Lubrication. Belt Guide. L...; 21. Auger Gear Box. 17 i Belt Replacements...; 20, 21. Choke...; 10, 11,  
13. Auger Shaft...; 16, 26. Clutch, Levers...; 10, 11. Chain and Sprockets. 16, 26. Carburetor.

24,25. Controls. Chart.. 26. Friction Wheel. 21, 22. Engine. 12, 17. Spark Plug.;. 24. Snow Thrower. IO. Hex Shaft and Gears. 16. Track. 23. Crank Service Recommendations. 26. Adjusting Rod. 8, 18 Assembly. 8. Maintenance. Specifications. 4. Operation. 11. Agreement. 4. Customer Responsibilities. 4. Auger Gear Box.. 17. Starting the Engine. Auger Shaft.,. 16. Recoil Start.;. 14. Drive, Traction.;,.. 11. Engine.. 17 Stopping the Engine.;, 11, 13, 14. Deflector, Snow Chute. 11. General Recommendations. 16. Stopping the Snow Thlower.. 11. Hex Shaft and Gears. 16. Shipping Carton. 6, 7 Skid Height.;.. 7, 18. Engine. Shifter Lever. 911. Control. 10, 11, 13, 14. Oil. Shear Bolts. 23. Oil Cap.. 12, 17. Engine. 4, 12, 17. Storage. 25. Oil Change... 17 Oil Type. 4, 12, 17. Type. Speed Governor. 24. Starting, Electrically. 13.

Traction Drive Belt. 19, 21. Starting, Manually. 14. Track Adjustment. 23. Storage. 25 Alter first use, See the Track Adjustment paragraph in the Service and Adjustments section of this manual. Check track adjustment and fasteners regularly. OF SHIPPING CARTON r, Owners Manual Not Shown Parts Shown Below. Knife to cut carton and plastic ties Pair Pliers to spread cotter pin. Screwdriver I show the Reference to the right and left hand side of the snow Remove top pallet and discard. Cut all four corners of the carton from top to bottom Cut the cable ties attached to the auger. Cut and discard the plastic ties that secure the crank Remove the packing material from the control panel. Cut and discard the packing securing the clutch NOTE if the cables have become disconnected from the Tighten both bolts securely. Roll the snow thrower off the skid by pulling on the NOTE This snow thrower is equipped with a track drive It is easier to pull the snow thrower backward if it must be The drive system may be tight when you first use your Remove skid To Adjust Skids Heights paragraph on page 18. On the right side of the handle, install and secure the Bend the ends of the cotter pin around the rod and Tighten the eye bolt installed earlier, keeping eye in Rotate the chute crank fully clockwise and fully Service and Adjustments section on page 18. Screws NOTE Be sure the crank does not touch the side of the FIG. 4B Inset Remove the nut on the pivot bolt Fig, 5A, place Tie the headlight cable to upper and lower handles NOTE One side of the plastic tie has small notches in it, Cut off excess plastic tie. Cut the plastic tie which holds the shifter lever Remove the Locknut, washer, spring and bolt Tighten locknut 1/4 turn at a time until the shifter lever moves Institute. AUGER DRIVE LEVER Starts and stops the auger and TRACTION DRIVE LEVER Propels the snow thrower SPEED SHIFTER LEVER Selects the speed of the When released, it eases transport of the snow thrower. HEIGHT ADJUST SKIDS Adjust the ground clearance of the auger housing.

IGNITION KEY Must be inserted to start the engine. ELECTRIC STARTER BUTTON Used to start; the RECOIL STARTER HANDLE Starts the engine manually. CHOKE CONTROL Used to start a cold engine. PRIMER BUTTON Injects fuel directly into the carburetor manifold for fast starts in cold weather. THROTTLE CONTROL Controls the engine speed, HEADLIGHT Turns on whenever the engine is running. CRANK ASSEMBLY Changes the direction of snow CHUTE DEFLECTOR Changes the distance the snow The operation of any snow thrower can result in foreign objects being thrown into the Always wear safety glasses or eye We recommend standard safety glasses or wide vision safety mask for over your Loosen the wing knob on the chute deflector and To stop the track, release the traction drive lever. To stop the engine, push the throttle control lever to Ground speed is determined by snow conditions; Amber Moderate White Very Light Engage the traction drive lever See Fig 11, left Do not attempt to Release to stop throwing snow. This weight transfer keeps the Should release the weight transfer system for easier Fig. 12 designed to minimize ride up. To release, NOTE The weight transfer Remove the oil NOTE S.A.E. 5W30 motor oil may be used to make Acidic gas can damage Before starting the engine, be COLD START See Fig. 14. Move the throttle control up to RUN position. Remove the keys from the plastic bag. Insert one Rotate the choke knob to FULL choke position. Connect the power cord to the switch box on the Push down on the starter button until the engine If overheated it will stop automatically and can NOTE Allow the engine to warm up for a few minutes STOP position and remove key, Keep the key in a. TO START ENGINE Electric Starter Run the engine at full throttle RUN when throwing STOP position and remove key. Keep the

key in a safe place. The engine will not start without the key. TO START ENGINE Recoil Starter. Be sure that the engine has sufficient oil. Before starting COLD START See Fig. 15 Move the throttle control up to RUN position.

Push the key into the ignition slot. Be sure it snaps. Rotate choke control to FULL choke position. Press the primer button in cold weather. Press Pull the starter handle rapidly. Do not allow the engine to warm up and begins to operate. NOTE Allow the engine to warm up for a few minutes. Run the engine at or near the top speed when Pull as much rope out of the Starter as possible. Release the starter handle and let it snap back. If the engine still fails to start, repeat.

<http://superbia.lgbt/flotaganis/1653316258>