



**File Name:** Cuddeback 1149 manual.pdf

**Size:** 2608 KB

**Type:** PDF, ePub, eBook

**Category:** Book

**Uploaded:** 19 May 2019, 17:31 PM

**Rating:** 4.6/5 from 559 votes.

**Download Now!**

Please check the box below to proceed.



I'm not a robot



reCAPTCHA  
Privacy - Terms

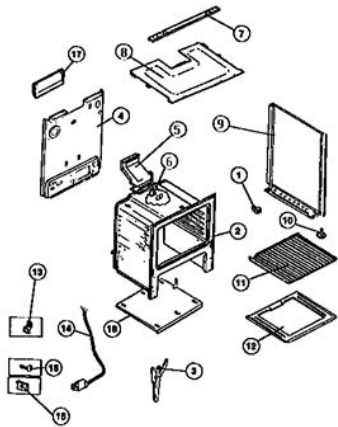
## Book Descriptions:

# Cuddeback 1149 manual



Our payment security system encrypts your information during transmission. We don't share your credit card details with thirdparty sellers, and we don't sell your information to others. Please try again.Please try again.In order to navigate out of this carousel please use your heading shortcut key to navigate to the next or previous heading. Register a free business account Please try your search again later.Infrared images were not only black and white, but they were low resolution and improperly exposed. The new Attack IR changes that. Attack IR takes 5 MP images both day and night. The IR images are stunningly clear. Attack IR uses 36 highpower IR LEDS for a true 60 foot flash range. Cuddebacks exclusive Adaptive IR Enhancement Technology assures IR images are correctly exposed. The Attack is the result of over three years of design and development and the brainchild of the best and brightest engineers in the U.S. No corners were cut and no idea left unconsidered. The final product is an engineering marvel that you will appreciate every time you use it. Features Full Season Battery Life of 50,000 images. The flash system is 36 Hi Power LEDs.Before the Attack IR, infrared cameras were not only black and white, but also low resolution and improperly exposed. The Attack IR, by contrast, takes stunningly clear 5megapixel game images both day and night. With a variety of highperformance featuresincluding 36 highpower IR LEDs that provide a true 60foot flash rangethe Cuddeback Attack IR is the pinnacle of game cameras. The Attack IRs Centered Subject Technology quickly centers your game within the frame. Sharp, Centered Images The Attack IR boasts an ultrafast trigger speed thats quick enough to catch a deer running at 20 feet per second. As a result, youll have a far better chance of capturing an image of a speeding deer or bearthe reason youre using a scouting camera in the first place.[http://www.mitonline.in/www.mitonline.in/uploaded\\_files/fck/Image/how-to-install-updates-manually.xml](http://www.mitonline.in/www.mitonline.in/uploaded_files/fck/Image/how-to-install-updates-manually.xml)

- **cuddeback 1149 manual, cuddeback 1149 manual, cuddeback attack 1149 manual, cuddeback attack model 1149 manual.**



The camera also includes Cuddebacks exclusive Centered Subject Technology, which not only detects the animal but quickly centers it within the frame. No more snapping a photo of a large buck only to see his head or antlers cropped out of the frame. And the Attack IR is dead on when it comes to color. The camera employs Cuddebacks exclusive SmartColor Image Technology to make the blue sky bluer, the orange sunset more vibrant, and the green foliage more vivid. Add in the companys Adaptive IR Image Enhancement Technology which ensures that IR images are correctly exposed no more washedout detail from close inand youll enjoy vivid, extrasharp images every time. The Attack IR takes both video and still images at the same time, so you dont have to give up your still when you take video. The camera captures 30second video clips at a premiumquality 24 frames per second both day and night. The camera also mounts conveniently to a variety of surfaces, with a Genius Mount System that screws or straps to trees, poles, and other objects. Simply attach the mounting bracket to your surface and slide the Attack inside. Additional brackets are available, so you can affix them to a tree and leave them there for future use. Other fundamentals include 60 MB of internal memory; an SD card slot; and an extralong battery life up to one year on a single set of four Dcell batteries. Extras The Attack IR far surpasses most other infrared game cameras thanks to such features as Guard Duty Time Lapse Mode, precise moon and sun information, and a handy Test Mode. In Guard Duty mode, the Attack IR will automatically take five images per minute during daylight hours. No animal is required to trigger an image, so you can monitor a food plot, stand site, or field all day, every day. The Guard Duty feature gives you an entire days worth of highresolution

1. <http://gulfcoastlist.com/userfiles/how-to-install-unofficial-oblivion-patch-manually.xml>



better product I think the BlackFlash is superior. The Moultrie seems better for the long term, easier to add and remove SD cards, fewer parts to get worn Cuddeback doors are flimsy, metal buttons drop out and get lost, battery compartment seal corrodes, battery springs loosen over time and cause malfunction.



The Cudde takes excellent HD pics though but makes a clicking noise with each pic, alerting mature bucks which I have seen run from it. The Moultrie makes NO SOUND at all. I would give Moultrie 990i an extra star and probably keep buying them rather than Cuddeback. I am not happy with Moultries plastic made in China feeders that coons can pull chords out of and squirrels chew through and corn gets stuck the wheel just proof I am not biased. Its not the first purchase, I got one for a friend that has caught Raccoons, Skunks, and a Coyote. That means that this purchase lacks the WOW factor of a first purchase, but it is doing a great job of catching the activity in the back yard much less rural. Mostly me. I am trying to catch some birds at the humming bird feeder. Ive had success but the trigger was usually me. I just positioned the camera closer to the feeder. I really want to be setup for the Orioles in a couple months. If the camera is working as it is now I hope to get some great pictures and videos. Working with the two cameras has been great fun. Its easy to set up and easy to use. The only complaint I have is that Cuddy modified the knobs just a little and its not quite as easy to open and close the door, but still an excellent camera. In order to navigate out of this carousel please use your heading shortcut key to navigate to the next or previous heading. We both have audio. Do you have a pdf I can download When the disk is loaded it is centered on a spindle and to make sure that centering succeeds a magnet mounted to a small white rotating plastic piece on the top of the DVD drive. The magnet seems to be too strong on my machine so the spindle isnt able to disengage when trying to open the tray. The result is blocking. It is of course possible that the electric motor moving the tray and the spindle movement is too weak. Careful! The clips may break easily. 12 Cut small pieces of tape or use thick drawing paper. The idea is to lift the magnet slightly upwards.

<http://libertad74.com/images/configure-remote-viewing-manually-slingbox.pdf>

## COMPONENT LOCATIONS

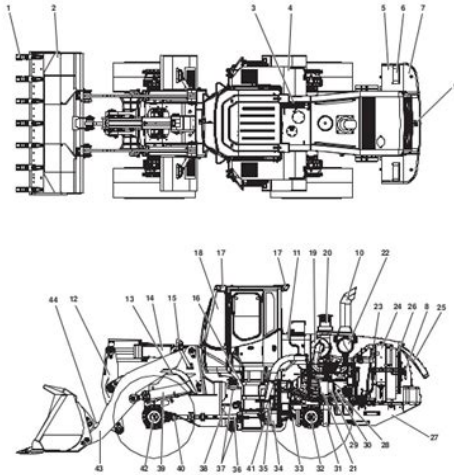


Figure 1

FG005270

We thus use tape or paper as shims. Notice that a hole is needed in the center. 13 When the shims are in place put the magnet back oriented correctly if you didnt mark it test it against the spindle rotating the disk. The correct orientation is where the magnetic force is strong. 14 Mount the halves back into the hole in the top component and align the clips. Then press the halves together until the clips connect. 15 Put the top component back and clip it into place. No need to screw in the screws yet. 16 Connect mains power, dont touch anything inside. 17 Check that the tray now opens both with a disk and when empty. Check that a DVD is recognized correctly too little pressure leads to disk loading failure. 18 If the DVD unit now works assemble it and you are done. The first picture shows the white round plastic part that is modified on the left hand side of picture. The second picture shows an additional support I glued to the top with super glue because the top is fairly flexible. Initially I thought this was the reason why the spindle got stuck. I think the extra support is unnecessary but i didnt bother with removing it. These features protect the detector in dusty, murky, wet and moist environments. The AT Gold can be submerged in water to a depth of 10 feet. Garrett Gold Pan Kit Review Detectorly Is this a problem I can fix How long does it take for original charge. The light is still flashing red. As the battery charges the LEDs will illuminate one by one and remain lit until all four will be lit. They will remain lit for 10 seconds when fully charged and then turn OFF. If the battery is not fully discharged when charging begins the LED nearest the fully lit LED on the charging indicator 9 will flash. This indicates that there is a partial charge left in the battery. 4. Leave the appliance plugged in for at least 5 hours to initially charge the battery. While charging, the charger may get warm, this is perfectly normal and safe.

<https://cocoonproperty.com/images/configure-router-manually-linksys.pdf>



It is safe to leave the appliance connected to the charger indefinitely. The charger automatically reduces power consumption when charging is complete. Got it from a guy who had maybe 25 of them at an auction. Where do I start Contact your corporate IT department to check your WiFi and internet hotspots. Turn off the group HD in your Account Management if your WiFi bandwidth is insufficient. Turn off your corporate VPN if it is not required for the meeting. What is wrong This can even be a faulty SD card. It normally occurs when the battery has been user beyond its operation. Answer questions, earn points and help others. We both have audio. Do you have a pdf I can download When the disk is loaded it is centered on a spindle and to make sure that centering succeeds a magnet mounted to a small white rotating plastic piece on the top of the DVD drive. The magnet seems to be too strong on my machine so the spindle isn't able to disengage when trying to open the tray. The result is blocking. It is of course possible that the electric motor moving the tray and the spindle movement is too weak. Careful! The clips may break easily. 12 Cut small pieces of tape or use thick drawing paper. The idea is to lift the magnet slightly upwards. We thus use tape or paper as shims. Notice that a hole is needed in the center. 13 When the shims are in place put the magnet back oriented correctly if you didn't mark it test it against the spindle rotating the disk. The correct orientation is where the magnetic force is strong. 14 Mount the halves back into the hole in

the top component and align the clips. Then press the halves together until the clips connect. 15 Put the top component back and clip it into place. No need to screw in the screws yet. 16 Connect mains power, dont touch anything inside. 17 Check that the tray now opens both with a disk and when empty. Check that a DVD is recognized correctly too little pressure leads to disk loading failure.

18 If the DVD unit now works assemble it and you are done. The first picture shows the white round plastic part that is modified on the left hand side of picture. The second picture shows an additional support I glued to the top with super glue because the top is fairly flexible. Initially I thought this was the reason why the spindle got stuck. I think the extra support is unnecessary but i didnt bother with removing it. These features protect the detector in dusty, murky, wet and moist environments. The AT Gold can be submerged in water to a depth of 10 feet. Garrett Gold Pan Kit Review Detectorly Is this a problem I can fix How long does it take for original charge. The light is still flashing red. As the battery charges the LEDs will illuminate one by one and remain lit until all four will be lit. They will remain lit for 10 seconds when fully charged and then turn OFF. If the battery is not fully discharged when charging begins the LED nearest the fully lit LED on the charging indicator 9 will flash. This indicates that there is a partial charge left in the battery. 4. Leave the appliance plugged in for at least 5 hours to initially charge the battery. While charging, the charger may get warm, this is perfectly normal and safe. It is safe to leave the appliance connected to the charger indefinitely. The charger automatically reduces power consumption when charging is complete. Got it from a guy who had maybe 25 of them at an auction. Where do I start Contact your corporate IT department to check your WiFi and internet hotspots. Turn off the group HD in your Account Management if your WiFi bandwidth is insufficient. Turn off your corporate VPN if it is not required for the meeting. What is wrong This can even be a faulty SD card. It normally occurs when the battery has been user beyond its operation. Answer questions, earn points and help others. Fits Attack and Ambush Cuddeback Cameras. Check my other auctions for other Cuddeback mounts.

<https://c2mag.com/wp-content/plugins/formcraft/file-upload/server/content/files/16288683bab5ac---c-an-am-outlander-service-manual-free-download.pdf>

I accept Paypal and request immediate payment. Sold as is no returns. I have been selling on Ebay for over 13 years with no problems. Check my feedback. Posted with And will Also receive the Bear safety protection lock box shown. This camera is not working properly and could be used for parts or fixed up. It work sometimes, Sometimes it take just black pictures, sometimes it take good pictures, sometimes it wont take any pictures, So you will receive this knowing it will be as is. All parts are with camera as I have not done anything but taken the used batteries and sd cards out. Model 1156, with Steel CuddeSafe Security Boxes and two 2 mp SD cards. Both of these cameras have been updated to the latest 0301 firmware. Both cameras work perfectly with no issues. They have been used for elk scouting in dry weather conditions and have never been exposed to smoke, rain, snow or otherwise harsh weather. The Steel CuddeSafe Security Boxes show some light use and slight wear, but are in perfect working order no dents, no major scratches, or other issues. The two SD cards included are also in perfect working order. Just put them in the camera and let the camera do its work. This camera is extremely easy to operate. Just one rotary button gets you to the various options and settings. Operating instructions are. Below is some information from the CuddeBack website about this camera. Doesnt everyone want better images with vibrant colors We do. And we think you do too. Trigger speed. Along with detection accuracy, can make the difference between getti This is a used camera. But it is still in excellent shape and It has all of the latest firmware updates. I have too many of these type of cameras, so I will be unloading some of them, at a great bargain for you. The reason I chose Cuddeback is because their trigger speeds are the best. No more deer butts or missed pictures, also their battery life is the best I have seen.

[www.gitdigital.com/grupogit/files/camping-mate-generator-manual.pdf](http://www.gitdigital.com/grupogit/files/camping-mate-generator-manual.pdf)

I usually get over six months battery life, and that includes the cold months of November, December, January. These Attack IR models are super simple to setup, unlike the older Cuddeback models. You can set everything from a rotary switch and 2 buttons. You will not be disappointed with this camera. Trigger speed. Along with detection accuracy, can make the difference between getting a deer and getting blanked. Centered Subject Technology Fewer noses. Fewer tails. Fewer blank images. Cuddebacks exclusive Centered Subject Technology combines fast trigger speed with animal detection to assure you'll get more deer centered in the image. Then recovers about 1 second later for the next shot. Cuddeback can take 2 pictures before many cameras have taken their first. Accuracy Less Blank Images Not all motion sensors are created equal. The ideal camera does not miss animals. Nor does it falsely detect something that is not there. We call this Accuracy. D Battery Power A D battery has 7 times the power of a AA battery. D power provides the longer battery life and best cold weather performance. Easy to set up. 5MP Trail Cam takes still photos and video clips. The Attack uses 1GB to 32GB SD cards, but if you forget one, you can take about 60 images using internal memory. Ever wonder what's happening at your site all day. Later watch a 12hr. Cuddeback Attack Scouting Camera takes about 10,000 images on just one set of 4D batteries, sold separately. Uses a more 1.5" Xenon Strobe flash to help sharpen your images from up to 60 ft. away. Takes daytime video. Cuddeback Attack is also available as an IR Camera No. 197422 The following Cuddeback Attack Camera Accessories are sold separately. Attack CuddeSafe Mounting Box No. 197423 secures and stabilizes your Cuddeback Attack Game Cameras protecting them from burglary and bears. Use the included bolts to secure to tree or post. Bracket uses a lock clip to secure your camera to a tree with a padlock. Deterring theft.

Attaches with screws or strap. Tilt mechanism can be tightened. A metal tilt bracket accepts you. It comes with 1 cuddeback attack black flash camera and 1 cuddeback cuddesafe lockable bear proof box. The Cudde Safe is brand new. I have sold my cuddeback attack cameras and now selling the boxes. Only infrared cameras that compromised images were being used when scouting and hunting for game. However, this Cuddeback game camera is revolutionary. The Cuddeback Attack IR has 5.0 MP that will take crystal clear images day or night. This game camera is easy to use and even simpler to set up. Hunters will love watching the 30 s videos and the eight separate delay choices from 15 s up to 30 minutes of this Cuddeback game camera, which will keep up with any game that moves through the camera's view. One great feature of the Cuddeback Attack IR is its battery life, which will last a full hunting season or 50,000 images. With 60 MB of internal memory, this game camera can hold plenty of hunting data and images, and it is expandable up to 32 GB via an SD card. This Cuddeback game camera offers high resolution. Product Identifiers Brand Cuddeback Model Attack IR MPN 1156 UPC The camera is in great condition and works perfectly. The camera takes 4 D batteries. Comes with quick connect tree strap. Selling because I have three and don't need that many. I took picture with it turned on date it does work great nice pics. Will sell with SD card no batteries. Only ship to lower 48 and thanks for looking. Does fog up on occasion but I am sure that could be fixed with antifog wipes or something similar. Comes with strap but is missing bracket. Threw in a 2 gb duracell sd memory card to make up for missing bracket. Upgraded to reconyx cameras so no need for this one. The video resolution has been increased to 720p HD. Battery Squeeze Technology has been added to extend the camera operation when batteries are low.

When the battery level reaches 25%, the camera will not capture videos and a minimum delay is enforced. The minimum delay is 015 during the day and 200 at night. The timing accuracy of Time Lapse mode has been improved. FastAsPossible FAP mode has been added and is enabled using parameter P7. When enabled, FAP mode will replace the rotary switch position corresponding to the shortest delay, i.e. 005. Updated firmware updates to be read from a common ZIP file. Update process 1 You will need an SD card installed into your computer's SD card reader or slot. 2 Download the firmware. 3 If you saved the firmware to your SD card in step 2 you can skip this step. If you did not save the firmware files to your SD card you will need to copy the firmware files to an

SD card. The LCD will show the worm scrolling around. DO NOT REMOVE THE SD CARD. a.Note if EC02 is displayed the batteries are too weak to install the new firmware. Replace the batteries then perform the LOAd function again. b.Note if EC10 is displayed the firmware files are not on the SD card or the SD card is not installed correctly. 9 After about 10 seconds the LCD will display some numbers and then the battery level. This is your indication that the firmware update was successful. 10 You have successfully updated and improved your camera. 11 You can remove the SD card and use the same SD card to update additional cameras if needed. Or, you can continue to use the SD card in your camera. NOTE For Attack cameras with firmware 07 07 or 09 09 installed, click the the first download link. For Attack cameras with all other firmware installed, click the second download link. To determine the product firmware version number Turn the dial to MENU Press A until 4 digits are displayed, for example 07 07 or 09 09 or C0 01 or 02 00 This firmware will modify the footer on the bottom of the image to include a blue strip.

If your Cuddeback camera does not have a blue strip in the footer we recommend installing this firmware. This firmware must be installed before any future firmware files can be loaded. note Seen cameras features an orange strip in the footer. About Digital Camera Firmware Updating to a newer firmware version than the one already installed on your camera can improve the device's overall performance and stability, resolve various issues, and add support for newly developed features or enhance existing ones. On the other hand, downgrading the camera's firmware can recover its functionality in the unlikely event the currently installed version is faulty or the device's performance dropped after an upgrade. However, bear in mind that applying an earlier build might not always be possible. It is recommended that changing the camera's firmware be performed when the new release resolves an issue that your device has been encountering, or adds a new feature or enhances an existing one that could prove useful for you. This process isn't intended to be destructive, but still, it's best to save all your personal data and configurations before applying a different firmware. Moreover, make sure that the battery is fully charged and don't use the camera's buttons while the installation is in progress. When it comes to the update method, usually, you must copy the firmware file onto a compatible memory card, insert it into the camera, and browse from the menu to the device's update section. However, each device has various ways to enter the update mode and particular steps that should be taken for a successful upgrade, therefore make sure you read the product's installation guide. That being said, if you consider that this firmware improves your device in any way, then hit the download button and get the desired version; if not, check with our website as often as possible so that you don't miss the update that will boost your camera's performance.

It is highly recommended to always use the most recent driver version available. Try to set a system restore point before installing a device driver. This will help if you installed an incorrect or mismatched driver. Problems can arise when your hardware device is too old or not supported any longer.